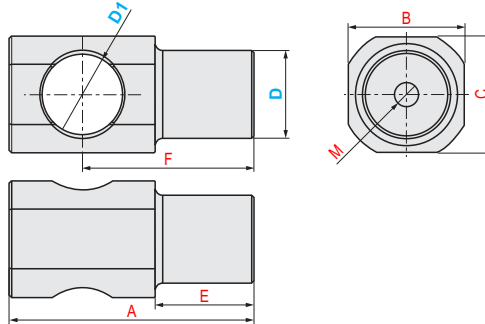


NEW

BRACKET
BRACKET

■ Rotating Bracket

MSMCR



M Material	S Surface treatment
Aluminum product	Anodizing

- ⓘ This product is used for the fixing and installation with the steel tube and its components. Note that it may not be compatible to assemble with other products.
- ⓘ When tightening with steel tubes, the gap is controlled to be less than 1mm.
- ⓘ The surface is anodized, and the color of the actual product may vary from the product picture.

Part Number	D1	D	A	B	C	E	F	M	Weight (g)
MSMCR	8	M10	26.5	14	14	11.5	19	M4	6
	12	M12	33.5	16	16	13.5	23.5	M4	12



Order

Part Number — D1 — D
MSMCR — 8 — M10



Example



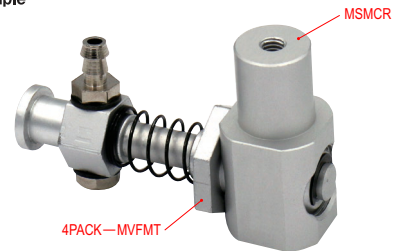
Days to Ship

Quotation



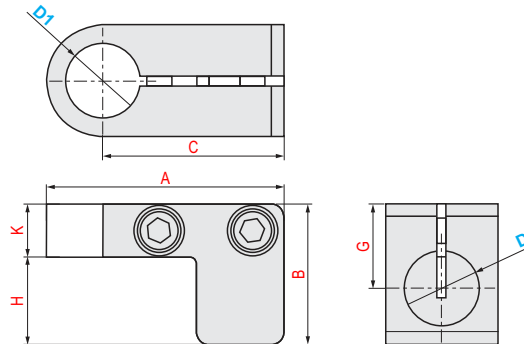
Price

Quotation



■ Rotating Bracket

MSMDR



M Material	S Surface treatment
Aluminum product	Anodizing

- ⓘ This product is used for the fixing and installation with the steel tube and its components. Note that it may not be compatible to assemble with other products.
- ⓘ When tightening with steel tubes, the gap is controlled to be less than 1mm.
- ⓘ The surface is anodized, and the color of the actual product may vary from the product picture.

Part Number	D1	D	A	B	C	H	G	K	Weight (g)
MSMDR	8	8	36	20	29	11.5	13	8.5	16
	12	8	38	22.5	29	14	13.5		24
	12	12	38	22.5	29	14	13.5		18



Order

Part Number — D1 — D
MSMDR — 8 — 8



Example



Days to Ship

Quotation



Price

Quotation

