
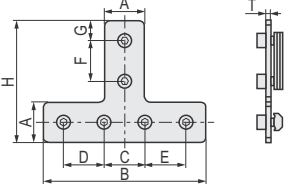

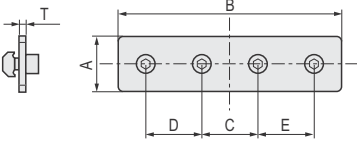

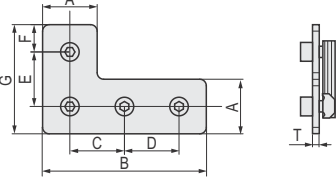



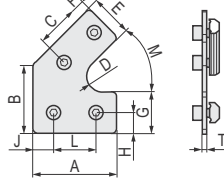


NEW

FIXING PLATE
FIXING PLATE

<p>■ T-type Fixing Plate</p>  <table border="1"> <tr> <td>M Material</td> <td>S Surface treatment</td> </tr> <tr> <td>Iron product</td> <td>Surface plating</td> </tr> </table>	M Material	S Surface treatment	Iron product	Surface plating	<p>MSFP—T2550 MSFP—T25100 MSFP—T40120</p> 
M Material	S Surface treatment				
Iron product	Surface plating				
<p>■ Straight Fixing Plate</p>  <table border="1"> <tr> <td>M Material</td> <td>S Surface treatment</td> </tr> <tr> <td>Iron product</td> <td>Surface plating</td> </tr> </table>	M Material	S Surface treatment	Iron product	Surface plating	<p>MSFP—S2550 MSFP—S25100 MSFP—S40160</p> 
M Material	S Surface treatment				
Iron product	Surface plating				
<p>■ L-type Fixing Plate</p>  <table border="1"> <tr> <td>M Material</td> <td>S Surface treatment</td> </tr> <tr> <td>Iron product</td> <td>Surface plating</td> </tr> </table>	M Material	S Surface treatment	Iron product	Surface plating	<p>MSFP—L2550 MSFP—L2575 MSFP—L40120</p> 
M Material	S Surface treatment				
Iron product	Surface plating				
<p>■ Fixing Plate with Adjustable Angle</p>  <table border="1"> <tr> <td>M Material</td> <td>S Surface treatment</td> </tr> <tr> <td>Iron product</td> <td>Surface plating</td> </tr> </table>	M Material	S Surface treatment	Iron product	Surface plating	<p>MSFP—A50</p> <p>MSFP—A60 MSFP—A70 MSFP—A90</p> 
M Material	S Surface treatment				
Iron product	Surface plating				
<p>■ 45° Fixing Plate</p>  <table border="1"> <tr> <td>M Material</td> <td>S Surface treatment</td> </tr> <tr> <td>Iron product</td> <td>Surface plating</td> </tr> </table>	M Material	S Surface treatment	Iron product	Surface plating	<p>MSFP—V45</p> 
M Material	S Surface treatment				
Iron product	Surface plating				

REMOVAL
RELATED PRODUCTS

Part Number		A	B	C	D	E	F	G	H	J	L	M	T	Weight (g)	
Type	No.														
MSFP	T2550	25	50	25	—	—	25	12.5	75	—	—	—	3	95	
	T25100	25	100	25	25	25	25	12.5	75	—	—	—		145	
	T40120	40	120	90	—	—	—	40	15	110	—	—		250	
	S2550	25	50	25	—	—	—	—	—	—	—	—		45	
	S25100	25	100	25	25	25	—	—	—	—	—	—		95	
	S40160	40	160	40	40	40	—	—	—	—	—	—		195	
	L2550	25	50	25	—	—	25	12.5	50	—	—	—		70	
	L2575	25	75	25	25	25	12.5	50	—	—	—	—		95	
	L40120	40	120	40	40	40	20	80	—	—	—	—		200	
	A50	80	50	55	25	25	30	12.5	12.5	25	—	45°		100	
	A60	60	85	40	10	40	12.5	76		—	25	30°		130	
	A70	70	100	50	10	40	20	90		20	—	40		27°	175
	A90	90	95	60	15	50	12.5	86		—	—	25		30°	215
	V45	50	40	25	R9	25	8	25	—	12.5	25	45°		115	



Order

Part Number
MSFP—A50



Price

Quotation



Example



Days to Ship

Quotation

4PACK—MPEP

MPFP

