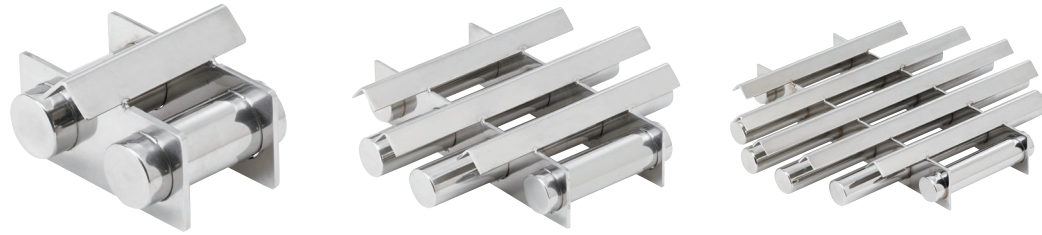


MAGNET FOR HOPPER WITH BAFFLE (ROUND)

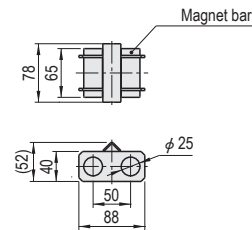
MAGNET FOR HOPPER WITH BAFFLE (SQUARE)

■ Magnet for Hopper with Baffle (round)

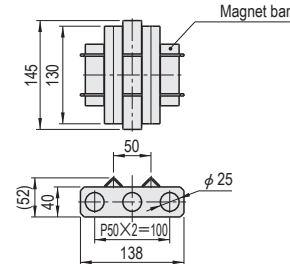


Part Number	Magnet material	Magnetic force (Gauss)	Maximum operating temperature (°C)	Surface material
M-BHMR-F□	Ferrite	3600	200	SUS304
M-BHMR-N□	Neodymium	8000	150	

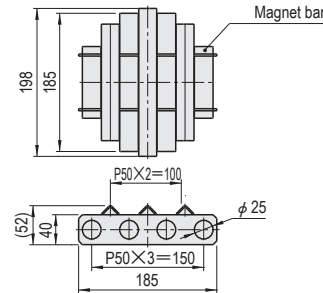
M-BHMR-F1
M-BHMR-N1



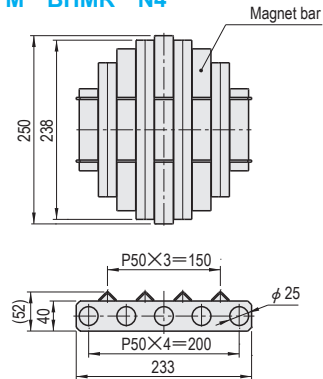
M-BHMR-F2
M-BHMR-N2



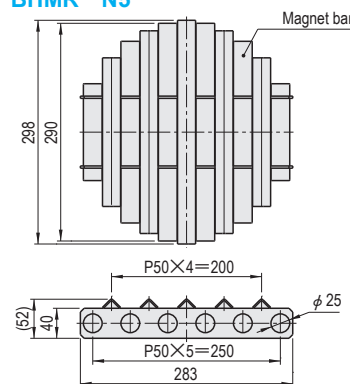
M-BHMR-F3
M-BHMR-N3



M-BHMR-F4
M-BHMR-N4



M-BHMR-F5
M-BHMR-N5

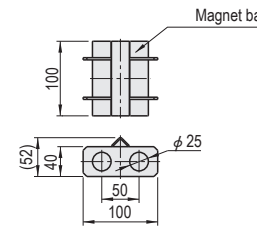


■ Magnet for Hopper with Baffle (square)

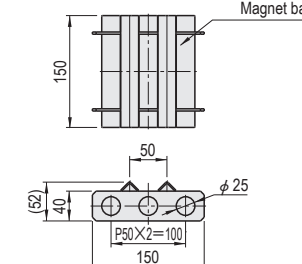


Part Number	Magnet material	Magnetic force (Gauss)	Maximum operating temperature (°C)	Surface material
M-BHMS-F□	Ferrite	3600	200	SUS304
M-BHMS-N□	Neodymium	8000	150	

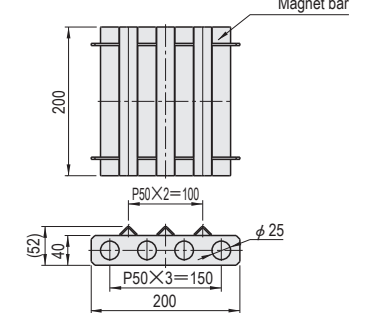
M-BHMS-F1
M-BHMS-N1



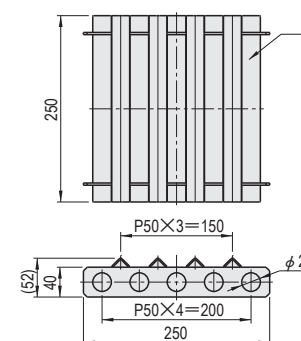
M-BHMS-F2
M-BHMS-N2



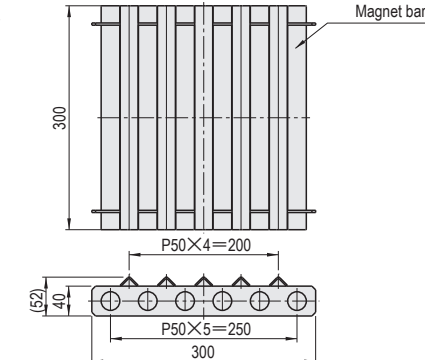
M-BHMS-F3
M-BHMS-N3



M-BHMS-F4
M-BHMS-N4



M-BHMS-F5
M-BHMS-N5



Recommended hopper size (φ)	Number of magnets (pcs)	Part Number		Unit price	
		Type	No.	M-BHMR-F	M-BHMR-N
100 or more	2	M-BHMR-F (Ferrite)	1	Quotation	
150 or more	3		2		
200 or more	4	M-BHMR-N (Neodymium)	3		
250 or more	5		4		
300 or more	6		5		



Order

Part Number

M-BHMR-F1

M-BHMR-N1



Days to Ship

Quotation

Recommended hopper size (φ)	Number of magnets (pcs)	Part Number		Unit price	
		Type	No.	M-BHMS-F	M-BHMS-N
105 or more	2	M-BHMS-F (Ferrite)	1	Quotation	
155 or more	3		2		
205 or more	4	M-BHMS-N (Neodymium)	3		
255 or more	5		4		
305 or more	6		5		



Order

Part Number

M-BHMS-F1

M-BHMS-N1



Days to Ship

Quotation

■ Features

- By using the magnet for hopper with baffle to recover metallic foreign matter, it is possible to prevent foreign matter from entering the molded product and to protect the screw cylinder.
- The baffle enables more reliable collection of metallic foreign matter.

■ Features

- By using the magnet for hopper with baffle to recover metallic foreign matter, it is possible to prevent foreign matter from entering the molded product and to protect the screw cylinder.
- The baffle enables more reliable collection of metallic foreign matter.