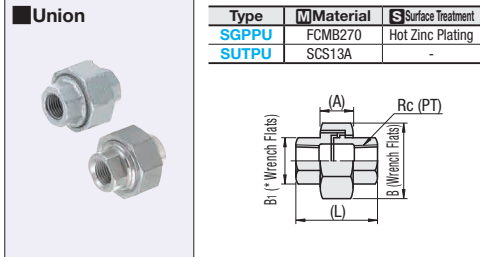


# Low Pressure Screw Fittings

## Equal Dia. / Reducing

### Union

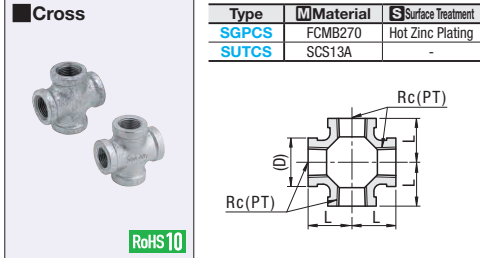


Type	Material	Surface Treatment
SGPPU	FCMB270	Hot Zinc Plating
SUTPU	SCS13A	-

Part Number	Rc (PT)	SGPPU				SUTPU				SGPPU		SUTPU	
		No.	B <sub>1</sub>	(L)	(A)	B	B <sub>1</sub>	(L)	(A)	B	Unit Price	Volume Discount Rate	Unit Price
6A	1/8	15	30	13	25	16	30	13	27	1-9 pc(s)	10-30 pcs.	1-9 pc(s)	10-30 pcs.
8A	1/4	19	33.5	13.5	31	20	34	14	34				
10A	3/8	23	38	16	37	25	38	16	40				
15A	1/2	27	41	17	42	30	41	17	46				
20A	3/4	33	51	18.5	49	34	43	17	55				
25A	1	41	54	20	59	44	51	20	64				

\* Shape of B1 Part: SUTPU6A, 8A: 2-Flat, SUTPU10A, 15A: Hex, SUTPU20A, 25A: Octagon, SGPPU: Octagon  
 ■ Features:  
 These fittings can be removed by loosening the nuts, and thus, require no twist of pipes themselves.

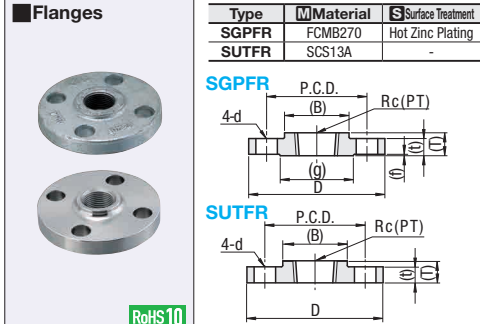
### Cross



Type	Material	Surface Treatment
SGPCS	FCMB270	Hot Zinc Plating
SUTCS	SCS13A	-

Part Number	Rc (PT)	SGPCS		SUTCS		SGPCS		SUTCS	
		(D)	L	(D)	L	Unit Price	Volume Discount Rate	Unit Price	Volume Discount Rate
8A	1/4	22	19	22	19	1-9 pc(s)	10-30 pcs.	1-9 pc(s)	10-30 pcs.
10A	3/8	26	23	26	23				
15A	1/2	30	27	30	27				
20A	3/4	36	32	36	32				
25A	1	44	38	44	38				

### Flanges

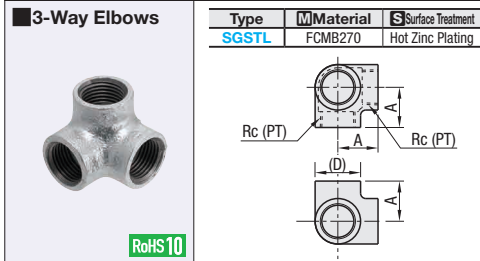


Type	Material	Surface Treatment
SGPFR	FCMB270	Hot Zinc Plating
SUTFR	SCS13A	-

Part Number	Rc (PT)	D	(T)	(t)	(B)	(f)	(g)	P.C.D.	d	Applicable Bolt Dia.	Unit Price	Volume Discount Rate
15A	1/2	95	16	12	38	1	51	70	15	M12		
20A	3/4	100	18	14	42	1	56	75	15	M12		
25A	1	125	18	14	49	1	67	90	19	M16		
32A	1 1/4	135	21	16	64	2	76	100	19	M16		
40A	1 1/2	140	21	16	68	2	81	105	19	M16		
50A	2	155	22	16	82	2	96	120	19	M16		

Part Number	Rc (PT)	D	(T)	(t)	(B)	P.C.D.	d	Applicable Bolt Dia.	Unit Price	Volume Discount Rate
15A	1/2	95	16	10	30	70	15	M12		
20A	3/4	100	18	12	36	75	15	M12		
25A	1	125	18	12	43	90	19	M16		
32A	1 1/4	135	21	14	54	100	19	M16		
40A	1 1/2	140	21	14	60	105	19	M16		
50A	2	155	22	14	74	120	19	M16		

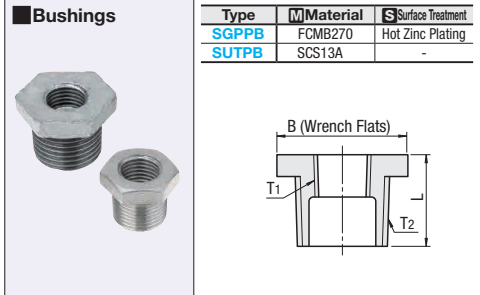
### 3-Way Elbows



Type	Material	Surface Treatment
SGSTL	FCMB270	Hot Zinc Plating

Part Number	Rc (PT)	(D)	A	Unit Price	Volume Discount Rate
15A	1/2	28	26		
20A	3/4	34	30		
25A	1	43	38		

### Bushings

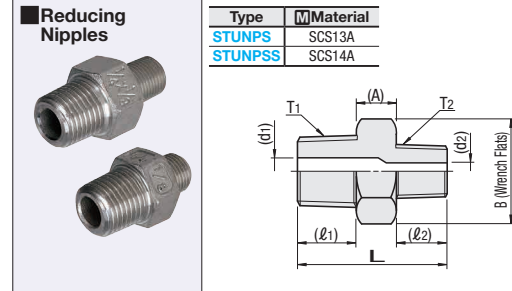


Type	Material	Surface Treatment
SGPPB	FCMB270	Hot Zinc Plating
SUTPB	SCS13A	-

Part Number	Rc (PT)	R(PT)	L	B	SGPPB		SUTPB	
					Unit Price	Volume Discount Rate	Unit Price	Volume Discount Rate
12	1/8	1/4	17	17	1-9 pc(s)	10-30 pcs.	1-9 pc(s)	10-30 pcs.
13	1/8	3/8	18	21				
14	1/8	1/2	21	26				
23	1/4	3/8	18	21				
24	1/4	1/2	21	26				
26	1/4	3/4	24	32				
28	1/4	1	27	38				
34	3/8	1/2	21	26				
36	3/8	3/4	24	32				
38	3/8	1	27	38				
46	1/2	3/4	24	32				
48	1/2	1	27	38				
68	3/4	1	27	38				
610	3/4	1 1/4	30	46				
810	1	1 1/4	30	46				
812	1	1 1/2	32	54				
1012	1 1/4	1 1/2	32	54				
1016	1 1/4	2	36	63				
1216	1 1/2	2	36	63				

\* No. 1016 and 1216 have octagonal B part. All other parts are hex.

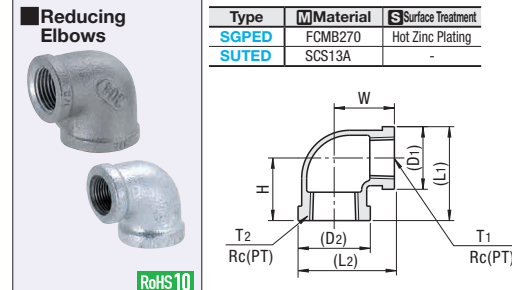
### Reducing Nipples



Type	Material	Surface Treatment
STUNPS	SCS13A	-
STUNPSS	SCS14A	-

Part Number	Rc (PT)	B	STUNPS				STUNPSS				Unit Price STUNPS		Unit Price STUNPSS						
			No.	T <sub>1</sub>	T <sub>2</sub>	L	(A)	(f <sub>1</sub> )	(f <sub>2</sub> )	(d <sub>1</sub> )	(d <sub>2</sub> )	(L)	(A)	(f <sub>1</sub> )	(f <sub>2</sub> )	(d <sub>1</sub> )	(d <sub>2</sub> )	1-9 pc(s)	10-30 pcs.
12	1/4	1/8	17	33	10.0	12.0	10.0	7.0	5.0	28	8.0	12.0	7.6	7.5	5.0				
13	3/8	1/8	21	34	9.3	13.0	11.2	9.0	5.1	29	7.8	13.1	7.6	10.9	4.9				
23	3/8	1/4	21	35	9.8	12.9	11.9	8.9	6.9	33	8.1	12.9	12.0	10.9	7.4				
24	1/2	1/4	26	38	10.5	15.7	11.7	13.0	7.0	36	8.1	16.3	11.9	14.4	4.6				
34	1/2	3/8	26	39	10.0	16.0	12.9	13.1	9.1	37	8.5	15.5	12.9	14.4	10.9				
36	3/4	3/8	32	42	11.3	18.3	13.0	15.8	9.0	39	8.5	17.5	12.3	19.9	11.0				
46	3/4	1/2	32	45	11.5	18.5	16.3	16.0	13.0	42	8.2	17.9	15.5	20.0	14.5				
48	1	1/2	38	48	12.0	20.2	16.4	22.0	13.1	45	8.3	20.8	15.9	25.5	14.5				
68	1	3/4	38	50	11.8	20.1	18.0	22.1	16.1	47	8.4	20.9	17.6	25.5	20.0				

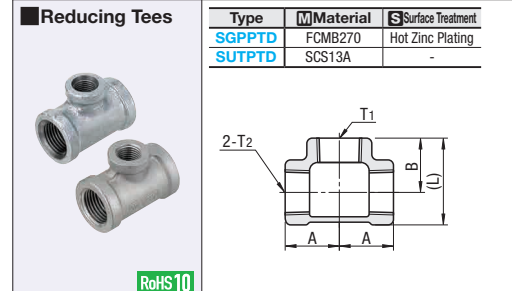
### Reducing Elbows



Type	Material	Surface Treatment
SGPED	FCMB270	Hot Zinc Plating
SUTED	SCS13A	-

Part Number	Rc (PT)	T <sub>1</sub>	T <sub>2</sub>	SGPED				SUTED				SGPED		SUTED				
				(D <sub>1</sub> )	(L <sub>1</sub> )	W	H	(D <sub>2</sub> )	(L <sub>2</sub> )	W	H	Unit Price	Volume Discount Rate	Unit Price	Volume Discount Rate			
24	1/4	1/2	23	31	36	40	24	22	30	35	39	24	24	1-9 pc(s)	10-30 pcs.	1-9 pc(s)	10-30 pcs.	
34	3/8	1/2	27	31	39	42	25	26	30	39	40	25	26					
36	3/8	3/4	27	37	42	47	28	28	26	36	41	46	28	28				
46	1/2	3/4	28	35	44	49	30	29	30	36	44	48	30	29				
48	1/2	1	28	42	46	54	33	32	30	44	47	55	32	33				
68	3/4	1	34	43	52	57	35	34	36	44	52	57	35	34				

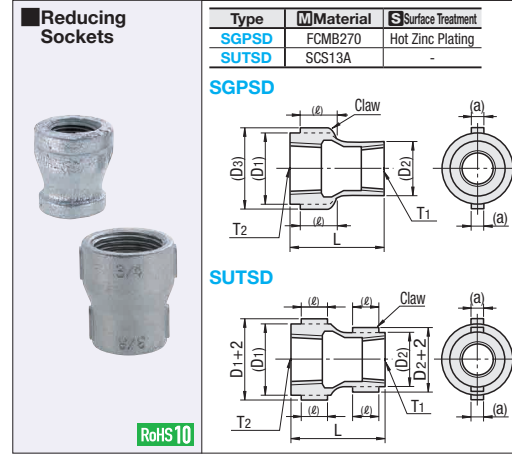
### Reducing Tees



Type	Material	Surface Treatment
SGPPTD	FCMB270	Hot Zinc Plating
SUTPTD	SCS13A	-

Part Number	Rc (PT)	T <sub>1</sub>	T <sub>2</sub>	SGPPTD			SUTPTD			SGPPTD		SUTPTD	
				(L)	A	B	(L)	A	B	Unit Price	Volume Discount Rate	Unit Price	Volume Discount Rate
24	1/4	1/2	40.5	24	24	39	24	24	1-9 pc(s)	10-30 pcs.	1-9 pc(s)	10-30 pcs.	
34	3/8	1/2	41	26	25	40	26	25					
36	3/8	3/4	47	28	28	46	28	28					
46	1/2	3/4	48	29	30	48	29	30					

### Reducing Sockets



Type	Material	Surface Treatment
SGPSD	FCMB270	Hot Zinc Plating
SUTSD	SCS13A	-

Part Number	Rc (PT)	T <sub>1</sub>	T <sub>2</sub>	SGPSD				SUTSD						
				L	(D <sub>1</sub> )	(D <sub>2</sub> )	(D <sub>3</sub> )	(a)	(b)	(c)	(d)	(e)	(f)	
12	1/8	1/4	26	23	19	-	-	-	-	25	19	15	4	8
13	1/8	3/8	29	27	19	-	-	-	-	28	23	19	5	9
23	1/4	3/8	29	27	23	-	-	-	-	28	23	19	5	9
24	1/4	1/2	35	31	23	-	-	-	-	34	27	23	5	11
34	3/8	1/2	35	31	27	-	-	-	-	34	27	23	5	11
36	3/8	3/4	38	38	27	-	-	-	-	38	33	27	6	12
46	1/2	3/4	38	34	28	38	6	18	38	33	27	6	12	
48	1/2	1	43	42	28	46	7	20	42	41	33	6	14	
68	3/4	1	43	42	34	46	8	20	42	41	33</			