
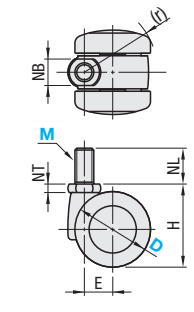


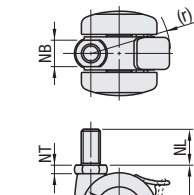
# Design Casters

# Ball Casters / Plastic Casters

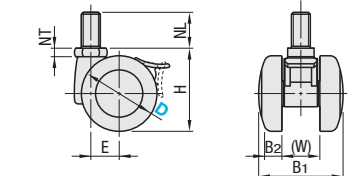


**CTYNB**





**CTYNBS**




| Shaft    |                    | Wheel    |         |
|----------|--------------------|----------|---------|
| M        | S                  | M        | S       |
| Material | Surface Treatment  | Material | Color   |
| SWCH     | Trivalent Chromate | Nylon    | (Black) |

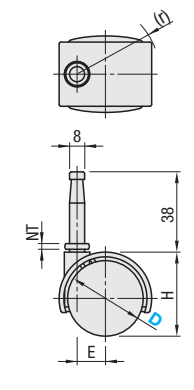
For dedicated wrenches, see P1084.

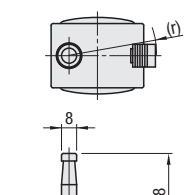
| Main Body                    | Part Number Type | D  | M  | H    | B <sub>1</sub> | B <sub>2</sub> | (W) | Mounting Screw |    |    | (r) | E  | Allowable Load (N) | Unit Price |
|------------------------------|------------------|----|----|------|----------------|----------------|-----|----------------|----|----|-----|----|--------------------|------------|
|                              |                  |    |    |      |                |                |     | NB             | NT | NL |     |    |                    |            |
| Swivel Screw-In              | CTYNB            | 40 | 10 | 44   | 44             | 12             | 20  | 14             | 5  | 19 | 39  | 15 | 392                |            |
|                              |                  | 50 | 12 | 57.5 | 49             | 9.5            | 21  | 17             | 6  | 22 | 46  | 17 | 588                |            |
| Swivel Screw-In with Stopper | CTYNBS           | 40 | 10 | 44   | 44             | 12             | 20  | 14             | 5  | 19 | 42  | 15 | 392                |            |
|                              |                  | 50 | 12 | 57.5 | 49             | 9.5            | 21  | 17             | 6  | 22 | 48  | 17 | 588                |            |

Ordering Example: Part Number - M  
CTYNBS40 - 10

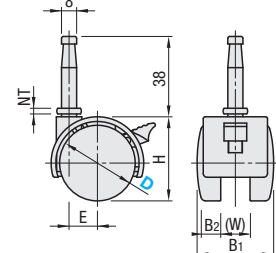


**CPNB**

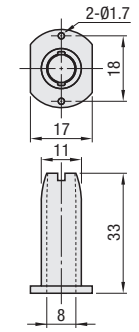




**CPNBS**



Insert Socket (Included)




Material: Nylon

| Shaft    |                    | Wheel    |         |
|----------|--------------------|----------|---------|
| M        | S                  | M        | S       |
| Material | Surface Treatment  | Material | Color   |
| SWCH     | Trivalent Chromate | Nylon    | (Black) |

| Main Body             | Part Number Type | D  | H  | B <sub>1</sub> | B <sub>2</sub> | (W) | Mounting Section |     |    | (r) | E   | Allowable Load (N) | Mass (g) | Unit Price |
|-----------------------|------------------|----|----|----------------|----------------|-----|------------------|-----|----|-----|-----|--------------------|----------|------------|
|                       |                  |    |    |                |                |     | NT               | (r) | E  |     |     |                    |          |            |
| Pin Type              | CPNB             | 40 | 49 | 41             | 10             | 16  | 3                | 43  | 15 | 200 | 65  |                    |          |            |
|                       |                  | 50 | 60 | 45             | 11             | 18  | 4                | 51  | 18 | 300 | 95  |                    |          |            |
| Pin Type With Stopper | CPNBS            | 40 | 49 | 41             | 10             | 16  | 3                | 47  | 15 | 200 | 70  |                    |          |            |
|                       |                  | 50 | 60 | 45             | 11             | 18  | 4                | 57  | 18 | 300 | 100 |                    |          |            |

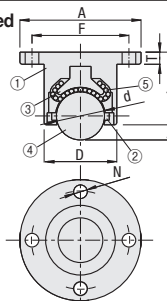
Ordering Example: Part Number - M  
CPNB40

**Ball Casters**

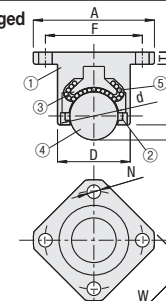


RoHS10

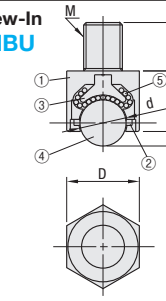
Round Flanged  
**CHBM**



Square Flanged  
**CHBF**



Screw-In  
**CHBU**



Can be used balls facing downwards.


CHBU type must be screwed in all the way to a base.

| Type               | ① Main Body | ② Dust-proof Seal          | ③ Strike Plate | ④ Main Ball | ⑤ Sub Ball |
|--------------------|-------------|----------------------------|----------------|-------------|------------|
|                    | Material    | Material                   | Material       | Material    | Material   |
| CHBM / CHBF / CHBU | S45C        | Electroless Nickel Plating | Felt           | SCM415      | 50HRC~     |
|                    |             |                            |                | SUJ2        | 55HRC~     |
|                    |             |                            |                | SUJ2        | 55HRC~     |

| Main Body      | Part Number Type | No. | D  | L  | A  | W  | M   | F  | N     | L <sub>1</sub> | d      | T   | Allowable Load (N) | Mass (g) | Unit Price |
|----------------|------------------|-----|----|----|----|----|-----|----|-------|----------------|--------|-----|--------------------|----------|------------|
|                |                  |     |    |    |    |    |     |    |       |                |        |     |                    |          |            |
| 50             | 30               | 28  | 50 | -  | -  | 40 | 5.5 | 6  | 19.05 | 5              | 1100   | 180 |                    |          |            |
| 60             | 38               | 37  | 60 | -  | -  | 49 | 6.5 | 8  | 25.4  | 6              | 1200   | 190 |                    |          |            |
| Square Flanged | CHBF             | 40  | 24 | 24 | 40 | 32 | -   | 32 | 4.5   | 5              | 15.875 | 4   | 900                | 160      |            |
|                |                  | 50  | 30 | 28 | 50 | 40 | -   | 40 | 5.5   | 6              | 19.05  | 5   | 1100               | 170      |            |
|                |                  | 60  | 38 | 37 | 60 | 48 | -   | 49 | 6.5   | 8              | 25.4   | 6   | 1200               | 185      |            |
| Screw-In       | CHBU             | 12  | 24 | 21 | -  | -  | 12  | 20 | -     | 5              | 15.875 | -   | 900                | 170      |            |
|                |                  | 16  | 30 | 25 | -  | -  | 16  | 25 | -     | 6              | 19.05  | -   | 1100               | 185      |            |
|                |                  | 20  | 38 | 34 | -  | -  | 20  | 30 | -     | 8              | 25.4   | -   | 1200               | 375      |            |

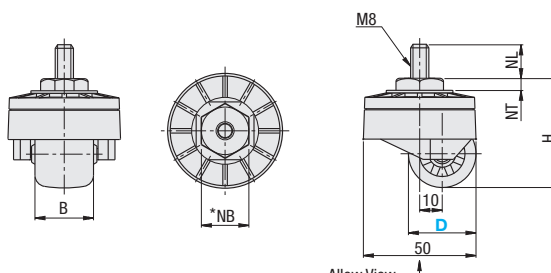
Ordering Example: Part Number  
CHBF50

**Plastic Casters**



RoHS10

**CSJM (Swivel)**



Allow View

\*Tighten up NB section with a wrench for firm fastening.

| Main Body | Wheel    | Thread             |
|-----------|----------|--------------------|
| M         | M        | S                  |
| Material  | Material | Surface Treatment  |
| Nylon     | Nylon    | S45C               |
|           |          | Trivalent Chromate |

| Main Body | Part Number Type | D  | M | Wheel Material | H  | B  | Mounting Screw |    |    | r  | Allowable Load (N) | Mass (g) | Unit Price |
|-----------|------------------|----|---|----------------|----|----|----------------|----|----|----|--------------------|----------|------------|
|           |                  |    |   |                |    |    | NB             | NT | NL |    |                    |          |            |
| Swivel    | CSJM             | 18 | 8 | N (Nylon)      | 34 | 20 | 13             | 3  | 14 | 21 | 300                | 60       |            |
|           |                  | 30 |   |                |    |    |                |    |    |    |                    |          |            |

Ordering Example: Part Number - M - Wheel Material  
CSJM30 - 8 - N