

Simplified Slide Rails

Aluminum, With Ball Bearing

Load Rating: 79N/pc

Simplified Slide Rails

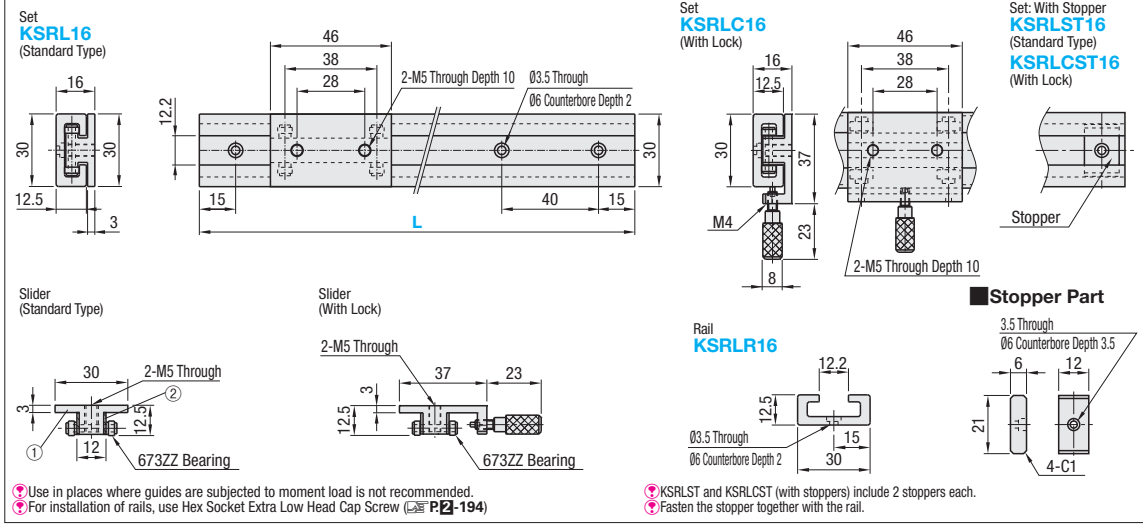
Stainless Steel, With Ball Bearing, With Lock

Load Rating: 380N, 460N/pc

■ Features: Lightweight since made of aluminum.

	Type		Rail	Part Name	Material	Surface Treatment
	Set (Slider 1 pc. + Rail 1 pc.) Standard Type	With Lock				
No Stopper	KSRL	KSRLC	KSRLR	Slider	① Aluminum Alloy ② Polyacetal	Hard Clear Anodize
				Rail	Aluminum Alloy	Hard Clear Anodize
With Stopper	KSRLST	KSRLCST	-	Stopper	MC Nylon	-
				Lock	Thread: SUS304 Tip: Polyacetal	-

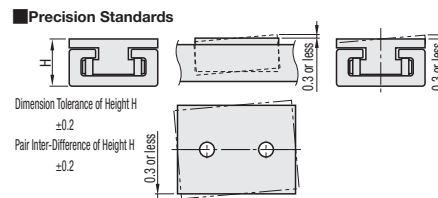
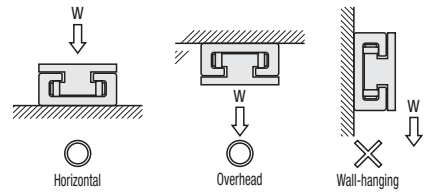
⚠ To prevent the slider fall-off, select with-stopper type.



⚠ Use in places where guides are subjected to moment load is not recommended.
 ⚠ For installation of rails, use Hex Socket Extra Low Head Cap Screw (PZ-194)

⚠ KSRLST and KSRLCST (with stoppers) include 2 stoppers each.
 ⚠ Fasten the stopper together with the rail.

■ Load Direction
 Please install the rail in horizontal or overhead position as shown below.
 Wall-hanging is not applicable.



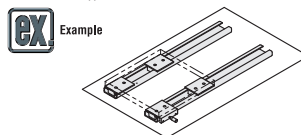
■ <KSRLC With Lock>
 Simply push rail side surfaces with clamp screws to hold a slider position manually. Retaining force is 1.8kg (Reference Value). (Tightening torque is 0.2N·m. If tightening torque exceeds 0.2N·m, screw tip can be broken.)
 *When external force more than retaining force is applied, retaining position will change.
 *To use simplified slide rails in vertical or inclined states, provide them with external structures to prevent blocks from falling off.

Part Number	Type	No.	L	Mounting Hole Qty.	Effective Stroke Slider 1 pc.	Load Rating N (kgf)	Unit Price					Addable Slider Qty.
							KSRL	KSRLC	KSRLR	KSRLST	KSRLCST	
70	Set Standard Type KSRL (With Stopper) KSRLST KSRLC (With Stopper) KSRLCST Rail only KSRLR	2	18	-	-	79(8)	-	-	-	-	-	-
110		3	58	16	-		-	-	-	-	-	1
150		4	98	56	-		-	-	-	-	-	1~2
190		5	138	96	-		-	-	-	-	-	1~2
230		6	178	136	-		-	-	-	-	-	1~3
270		7	218	176	-		-	-	-	-	-	1~3
310		8	258	216	-		-	-	-	-	-	1~5
350		9	298	256	-		-	-	-	-	-	1~6
390		10	338	296	-		-	-	-	-	-	1~7
430		11	378	336	-		-	-	-	-	-	1~8
470		12	418	376	-		-	-	-	-	-	1~9
510		13	458	416	-		-	-	-	-	-	1~9
550		14	498	456	-		-	-	-	-	-	1~10
590		15	538	496	-		-	-	-	-	-	1~10
630		16	578	536	-		-	-	-	-	-	1~10
670		17	618	576	-		-	-	-	-	-	1~10
710	18	658	616	-	-	-	-	-	-	1~10		
750	19	698	656	-	-	-	-	-	-	1~10		
790	20	738	696	-	-	-	-	-	-	1~10		
830	21	778	736	-	-	-	-	-	-	1~10		
870	22	818	776	-	-	-	-	-	-	1~10		
910	23	858	816	-	-	-	-	-	-	1~10		
950	24	898	856	-	-	-	-	-	-	1~10		
990	25	938	896	-	-	-	-	-	-	1~10		
1030	26	978	936	-	-	-	-	-	-	1~10		

⚠ *1 Effective stroke (No Stopper) is the dimension value with a margin of approx. 3mm set from each end to avoid dropout of sliders.
 ⚠ *2 Effective stroke (With Stopper) is the dimension value with a margin of approx. 3mm set from contacts of sliders and stoppers to avoid conflict between them.

Ordering Example

Part Number	-	L
KSRL16	-	310 (Set)
KSRLC16	-	910 (Set With Lock)
KSRLST16	-	390 (Set With Stopper)
KSRLR16	-	630 (Rail only)



Alterations

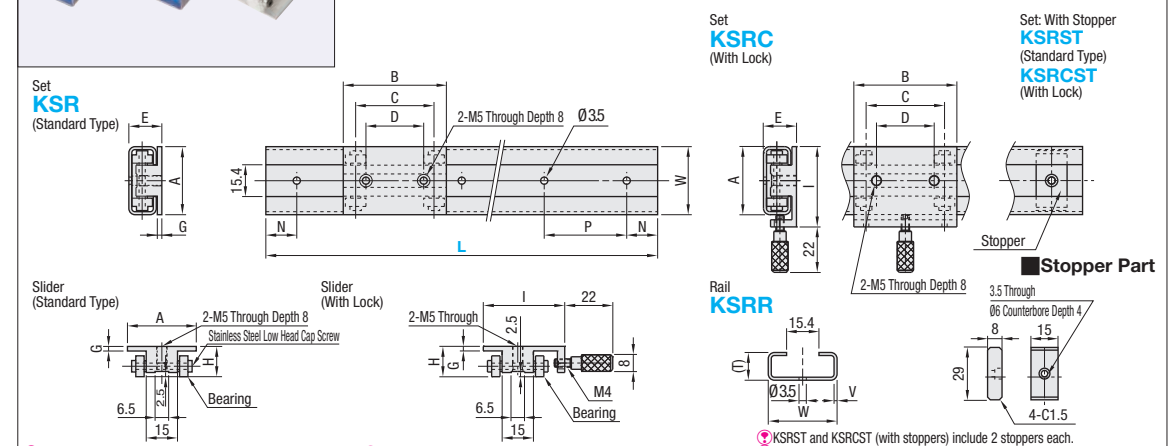
Part Number	-	L	-	(S, C)
KSRL16	-	550	-	S1

Alterations	Code	Spec.
Standard Slider	S	Sliders are added. Please specify additional slider quantity after S and C. Please refer to the price list for maximum quantity of addable sliders.
With Lock Slider	C	Added sliders are the same size as that of the original part number model. ⚠ When ordering 50 or more identical sliders at a time, please request a quotation. ⚠ Not applicable when ordering rails only.

■ Features: Corrosion resistant since made of stainless steel.

	Type		Rail	Part Name	Material
	Set (Slider 1 pc. + Rail 1 pc.) Standard Type	With Lock			
No Stopper	KSR	KSRC	KSRR	Slider	SUS304
				Rail	SUS304
With Stopper	KSRST	KSRCST	-	Stopper	MC Nylon
				Clamp Screw	SUS304

⚠ To prevent the slider fall-off, select with-stopper type.



⚠ Use in places where guides are subjected to moment load is not recommended.
 ⚠ For installation of rails, use Hex Socket Extra Low Head Cap Screw (PZ-194)

⚠ KSRST and KSRCST (with stoppers) include 2 stoppers each.
 ⚠ Fasten the stopper together with the rail.

No.	Slider										Rail				
	A	B	C	D	E	G	H	I	W	P	N	(T)	V	Bearing	
13	32	40	30	20	13	1.8	11.8	38	32	50	10	10.7	1.2	SUS693ZZ Bearing	
16	33	50	38	28	16	2.2	14.55	39	33	40	15	13.3	1.5	SUS623ZZ Bearing	

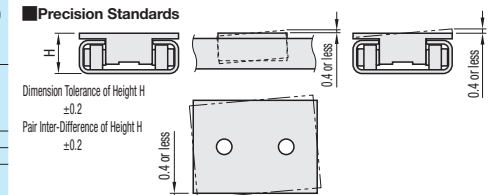
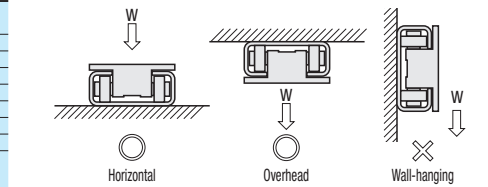
Part Number	Type	No.	L	Mounting Hole Qty.	Effective Stroke Slider 1 pc.	Load Rating N (kgf)	Unit Price					Addable Slider Qty.	
							KSR	KSRST	KSRC	KSRCST	KSRR	No Stopper	With Stopper
70	Set Standard Type KSR (With Stopper) KSRST KSRC (With Stopper) KSRCST Rail only KSRR	2	14	-	-	380(39)	-	-	-	-	-	-	
120		3	74	39	-		-	-	-	-	-	1	
170		4	124	89	-		-	-	-	-	-	1~3	
220		5	174	139	-		-	-	-	-	-	1~4	
270		6	224	189	-		-	-	-	-	-	1~5	
320		7	274	239	-		-	-	-	-	-	1~6	
370		8	324	289	-		-	-	-	-	-	1~8	
420		9	374	339	-		-	-	-	-	-	1~9	
470		10	424	389	-		-	-	-	-	-	1~10	
520		11	474	439	-		-	-	-	-	-	1~10	
570		12	524	489	-		-	-	-	-	-	1~10	
620		13	574	539	-		-	-	-	-	-	1~10	
670		14	624	589	-		-	-	-	-	-	1~10	
720		15	674	639	-		-	-	-	-	-	1~10	
770		16	724	689	-		-	-	-	-	-	1~10	
70		Set Standard Type KSR (With Stopper) KSRST KSRC (With Stopper) KSRCST Rail only KSRR	2	14	-		-	460(47)	-	-	-	-	-
110	3		54	9	-	-	-		-	-	-	1	
150	4		94	49	-	-	-		-	-	-	1~2	
190	5		134	89	-	-	-		-	-	-	1~3	
230	6		174	129	-	-	-		-	-	-	1~4	
270	7		214	169	-	-	-		-	-	-	1~5	
310	8		254	209	-	-	-		-	-	-	1~6	
350	9		294	249	-	-	-		-	-	-	1~7	
390	10		334	289	-	-	-		-	-	-	1~8	
430	11		374	329	-	-	-		-	-	-	1~9	
470	12		414	369	-	-	-		-	-	-	1~9	
510	13		454	409	-	-	-		-	-	-	1~10	
550	14		494	449	-	-	-		-	-	-	1~10	
590	15		534	489	-	-	-		-	-	-	1~10	
630	16		574	529	-	-	-		-	-	-	1~10	
670	17		614	569	-	-	-		-	-	-	1~10	
710	18	654	609	-	-	-	-	-	-	1~10			
750	19	694	649	-	-	-	-	-	-	1~10			
790	20	734	689	-	-	-	-	-	-	1~10			
830	21	774	729	-	-	-	-	-	-	1~10			
870	22	814	769	-	-	-	-	-	-	1~10			
910	23	854	809	-	-	-	-	-	-	1~10			
950	24	894	849	-	-	-	-	-	-	1~10			
990	25	934	889	-	-	-	-	-	-	1~10			
1030	26	974	929	-	-	-	-	-	-	1~10			

⚠ *1 Effective stroke (No Stopper) is the dimension value with a margin of approx. 3mm set from each end to avoid dropout of sliders.
 ⚠ *2 Effective stroke (With Stopper) is the dimension value with a margin of approx. 3mm set from contacts of sliders and stoppers to avoid conflict between them.

Ordering Example

Part Number	-	L
KSR13	-	520 (Set)
KSRST16	-	510 (Set With Stopper)
KSRR16	-	630 (Rail only)

■ Load Direction
 Please install the rail in horizontal or overhead position as shown below.
 Wall-hanging is not applicable.



<With Lock>
 Simply push rail side surfaces with clamp screws to hold a slider position manually.

Retaining Force (Reference Value)

13	3.9kg
16	5.2kg

*When external force more than retaining force is applied, retaining position will change.
 *When installing simplified slide rails on vertical position or slanted position, provide external devices to avoid sliders falling off.

Alterations

Part Number	-	L	-	(S, C)
KSRL16	-	550	-	S1

Alterations	Code	Spec.
Standard Slider	S	Sliders are added. Please specify additional slider quantity after S and C. Please refer to the price list for maximum quantity of addable sliders.
With Lock Slider	C	Added sliders are the same size as that of the original part number model. ⚠ When ordering 50 or more identical sliders at a time, please request a quotation. ⚠ Not applicable when ordering rails only.