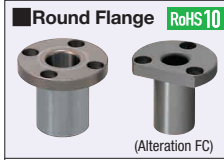
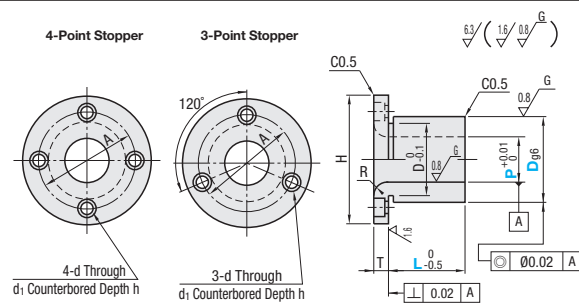


Bushings for Locating Pins

Flanged



Material	Surface Treatment	Hardness	Type			
			P Fixed and L Selectable	P, L Configurable		
SKS3 Equivalent	Black Oxide Electroless Nickel Plating	* Treated Hardness: 56 ~ 60HRC	JBY	JBT	JBYF	JBTf
SUS304	-	-	JBYM	-	JBYFB	JBTfM
SUS440C Equivalent	-	Treated Hardness: 50 ~ 55HRC	-	-	JBYFS	-
			-	-	JBYFC	-



■ P Fixed and L Selectable (JBT is available for P dimension with * 1 mark only. (L dimensions marked with *2 are not available for JBYM.

Part Number	Type	P	L Selection				R	H	T	Dg6	A	d	d1	h	Unit Price		
			8	10	12	16									JBY	JBYM	JBT
5		8	10	12	*16	1	25	5	10	-0.005 -0.014	17	3.3	6.5	3.5			
*1 6		8	10	12	16		28		12	-0.006 -0.017	20						
*1 8		10	12	16	20		36		15	-0.007 -0.020	26						
*1 10		12	16	20	25	2	40	6	22	-0.007 -0.020	30	4.5	8	4.5			
*1 12		12	16	*20	25		44		25	-0.009 -0.025	34						
*1 13		12	16	*20	25		56	8	30		42	6.6	11	6.5			
*1 15		12	16	20	25	3	60		35		46						
*1 16		16	20	25	30												
*1 20		20	25	30	35												
25		20	25	30	*235	40											

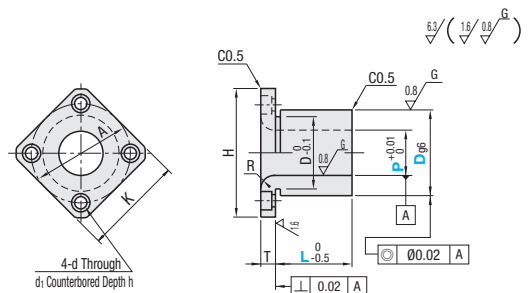
■ P and L Configurable (L+T≤Px3.0

Part Number	Type	Dg6	P 0.01mm Increment	L 0.1mm Increment	R	H	T	A	d	d1	h	Unit Price			
												JBYF	JBYFB	JBYFM	JBYFS
10	Round Flange, 4-Point Stopper	-0.005 -0.014	4.00-6.50	5.0-15.0	1	25	5	17	3.3	6.5	3.5				
12	JBYF	-0.006	6.00-8.50			28		20							
15	JBYFB	-0.017	8.00-10.50			36		26							
18	JBYFM		10.00-12.50			40	6	30	4.5	8	4.5				
20	JBYFS		12.00-13.50	10.0-35.0	2	44		34							
22	JBYFC	-0.007 -0.020	12.00-13.50			44		34							
25		-0.007 -0.020	13.00-15.50			56	8	42	6.6	11	6.5				
26	Round Flange, 3-Point Stopper	-0.009 -0.025	15.00-16.50			60		46							
30	JBTf		16.00-20.50	12.0-50.0	3	60		46							
35	JBTfM		20.00-25.00												

Square Flange



Material	Surface Treatment	Hardness	Type	
			P Fixed and L Selectable	P, L Configurable
SKS3 Equivalent	Black Oxide Electroless Nickel Plating	* Treated Hardness: 56 ~ 60HRC	JBS	JBSF
SUS304	-	-	JBSM	JBSFM
SUS440C Equivalent	-	Treated Hardness: 50 ~ 55HRC	-	JBSFS
			-	JBSFC



■ P Fixed and L Selectable (L dimensions marked with * are not available for JBSM.

Part Number	Type	P	L Selection				R	H	K	T	Dg6	A	d	d1	h	Unit Price	
			10	*12	16	20										JBS	JBSM
8		10	*12	16	20	2	28	22	5	12	-0.006 -0.017	20	3.3	6.5	3.5		
10		12					36	28		15	-0.007 -0.020	26					
12		12	16	20	25	3	44	34	6	25	-0.009 -0.025	34	4.5	8	4.5		
15		16	20	25	*35		56	44	8	30		42	6.6	11	6.5		
20		20	25	30	*40		60	47		35		46					

■ P and L Configurable (L+T≤Px3.0

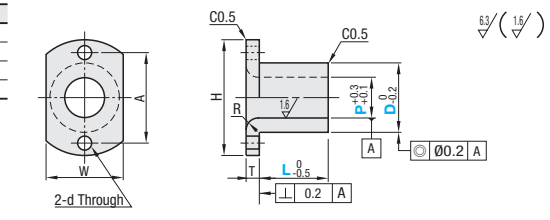
Part Number	Type	Dg6	P 0.01mm Increment	L 0.1mm Increment	R	H	K	T	A	d	d1	h	Unit Price			
													JBSF	JBSFB	JBSFM	JBSFS
10		-0.005 -0.014	4.00-6.50	5.0-15.0	1	25	20	5	17	3.3	6.5	3.5				
12		-0.006	6.00-8.50			28			20							
15		-0.017	8.00-10.50			36			26							
18			10.00-12.50			40	31	6	30	4.5	8	4.5				
20			12.00-13.50	10.0-35.0	2	44			34							
22		-0.007 -0.020	12.00-13.50			44			34							
25		-0.007 -0.020	13.00-15.50			56	44	8	42	6.6	11	6.5				
26		-0.009 -0.025	15.00-16.50			60			46							
30			16.00-20.50	12.0-50.0	3	60	47	8	42	6.6	11	6.5				
35			20.00-25.00						46							

■ Features: Economy type is priced up to 49% lower without D/P Dimensions grinding and with the tolerance of P Dimension $+0.3$ / -0.1 and D Dimension 0 / -0.2 .

Compact Flange Economy



Material	Surface Treatment	Hardness	Type
S45C Equivalent	Electroless Nickel Plating	-	JBOR
	Electroless Nickel Plating	45-50HRC	JBOM
			JBOK
			JBON

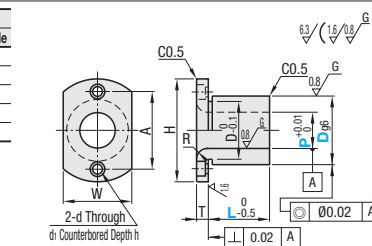


Part Number	Type	D	P 0.1mm Increment	L 1mm Increment	R	H	W	T	A	d	Unit Price			
											JBOR	JBOM	JBOK	JBON
10		10	4.0-6.5	5-15	1	25	12	5	17	5				
12		12	6.0-8.5			28	15		20					
15		15	8.0-10.5			36	22		26					
16		16	9.0-11.5			40	20	3	30					
18		18	10.0-12.5			44	30	4	34					
20		20	12.0-13.5	5-35	2	44	30	4	34					
22		22	12.0-13.5			56	35	5	42	8				
25		25	13.0-15.5			60	40		46					
26		26	15.0-16.5											
30		30	16.0-20.5											
35		35	20.0-25.0	5-50	3									

Compact Flange



Material	Surface Treatment	Hardness	Type	
			P Fixed and L Selectable	P, L Configurable
SKS3 Equivalent	Black Oxide Electroless Nickel Plating	* Treated Hardness: 56 ~ 60HRC	JBN	JBNF
SUS304	-	-	JBNM	JBNFM
SUS440C Equivalent	-	Treated Hardness: 50 ~ 55HRC	-	JBNFS
			-	JBNFC



■ P Fixed and L Selectable

Part Number	Type	P	L Selection				R	H	W	T	Dg6	A	d	d1	h	Unit Price	
			8	10	12	16										JBN	JBNM
5		8	10	12	16	1	25	12	5	10	-0.005 -0.014	17	3.3	6.5	3.5		
6		8					28	15		12	-0.006 -0.017	20					
8		10	12	16	20		36	22		15	-0.007 -0.020	26					
10		10					40	25	6	22	-0.007 -0.020	30	4.5	8	4.5		
12		12	16	20	25	2	44	30		25	-0.009 -0.025	34					
13		13					56	35	8	30		42	6.6	11	6.5		
15		15	20	25	30		60	40		35		46					
16		16	20	25	30												
20		20	25	30	35												
25		20	25	30	35	40											

■ P and L Configurable (L+T≤Px3.0

Part Number	Type	Dg6	P 0.01mm Increment	L 0.1mm Increment	R	H	W	T	A	d	d1	h	Unit Price			
													JBNF	JBNFB	JBNFM	JBNFS
10		-0.005 -0.014	4.00-6.50	5.0-15.0	1	25	12	5	17	3.3	6.5	3.5				
12		-0.006	6.00-8.50			28	15		20							
15		-0.017	8.00-10.50			36	22		26							
18			10.00-12.50			40	25	6	30	4.5	8	4.5				
20			12.00-13.50	10.0-35.0	2	44	30		34							
22		-0.007 -0.020	12.00-13.50			44	30		34							
25		-0.007 -0.020	13.00-15.50			56	35	8	42	6.6	11	6.5				
26		-0.009 -0.025	15.00-16.50			60	40		46							
30			16.00-20.50	12.0-50.0	3	60	40	8								