


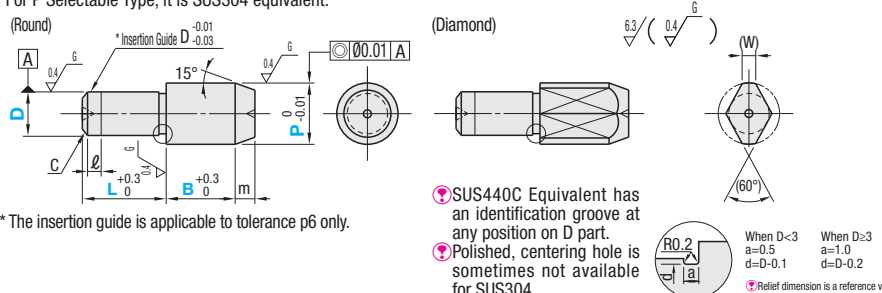
Locating Pins - Large Head, Tapered Press Fit

■ Features: Tapered Head Standard Type. Press Fit. Economical and there is a variety of selections to choose from. Same day shipping available.



Material No.	Material	Surface Treatment	Hardness	P Selectable		P Configurable		P, L, B Configurable	
				Type	D Tolerance and Shape	Type	D Tolerance and Shape	Type	D Tolerance and Shape
①	SKS3 Equivalent	-	Treated Hardness: 60 ~ 63HRC	JP	<Round>	JP	<Round>	FP	<Round>
②	SKS3 Equivalent	Hard Chrome Plating; Plating Thickness: Sum or more	Treated Hardness: 50 ~ 55HRC Plating Hardness: 750HV ~	GJP	BB (m6) BPB (p6)	GJP	BA (m6) BPA (p6)	GFP	BA (m6) BPA (p6) BG (p6)
③	SKS3 Equivalent	-	-	BJP	<Round>	BJP	<Round>	BFP	<Round>
④	SUS304*	-	-	SJP	<Diamond>	SJP	<Diamond>	SFP	<Diamond>
⑤	SUS304	Hard Chrome Plating; Plating Thickness: Sum or more	Plating Hardness: 750HV ~	HJP	DB (m6) DPB (p6)	HJP (Round only)	BD (m6) BPD (p6)	HFP	BD (m6) BPD (p6) DG (p6)
⑥	SUS440C Equivalent	-	Treated Hardness: 50 ~ 55HRC	CJP	<Round>	CJP	<Round>	CFP	<Round>

*For P Selectable Type, it is SUS304 equivalent.



⚠ SUS440C Equivalent has an identification groove at any position on D part.
⚠ Polished, centering hole is sometimes not available for SUS304.

⚠ The insertion guide is applicable to tolerance p6 only.

■ P Selectable

Type	D Tolerance and Shape	Part Number		P Selection	L	B	C	m	l	W	
		D	d dim. Tolerance								
JP GJP BJP SJP HJP CJP	<Round> (m6) BB BPB (p6)	1	+0.008	+0.012	2	3	0.1	0.5	0	-	
		2	+0.008	+0.012	3	3	0.1	0.5	0	1.2	
		3	+0.002	+0.006	4	3	0.5	1	2	1.5	
		4	+0.012	+0.020	5	5	1	3	1	1.8	
		5	+0.004	+0.012	6	5	1	3	1	2.2	
		6	+0.004	+0.012	8	10	8	1.5	1	3	
	<Diamond> (m6) DB DPB (p6) ⚠ Applicable when D≥2	8	+0.015	+0.024	10	10	12	13	15	1	3.5
		10	+0.006	+0.015	12	13	15	15	16	1	4
		12	+0.018	+0.029	13	15	16	15	16	1	5
		13	+0.007	+0.018	16	20	25	20	25	2	5.5
		16	+0.021	+0.035	20	25	30	25	30	2	7
		20	+0.008	+0.022	25	30	30	15	3	5	9

■ P Configurable

Type	D Tolerance and Shape	Part Number		P	L	B	C	m	l	W
		D	d dim. Tolerance							
JP GJP BJP SJP HJP CJP	<Round> (m6) BA BPA (p6)	1	+0.008	+0.012	1.20-2.50	3	3	0.1	0.5	0
		2	+0.002	+0.006	2.50-4.00	4	3	0.5	1	1.2
		3	+0.012	+0.020	3.50-6.00	5	5	1	2	1.5
		4	+0.004	+0.012	4.50-7.00	6	5	1	2	1.8
		5	+0.004	+0.012	5.50-8.00	10	6	1	3	2.2
		6	+0.004	+0.012	6.50-10.00	10	6	1	3	3
	<Diamond> (m6) BD BPD (p6) ⚠ Applicable when D≥2	8	+0.015	+0.024	9.00-13.00	10	8	1.5	1	3.5
		10	+0.006	+0.015	11.00-15.00	15	8	1.5	1	4
		12	+0.018	+0.029	13.00-16.00	15	8	1.5	1	5
		13	+0.018	+0.029	14.00-18.00	22	10	2	4	5.5
		16	+0.007	+0.018	17.00-25.00	22	10	2	4	7
		20	+0.021	+0.035	22.00-30.00	30	15	3	5	9

■ P, L, B Configurable

Type	D Tolerance and Shape	Part Number			P	L	B	C	m	l	W
		D	d dim. Tolerance	g6							
FP GFP BFP SFP HFP CFP	<Round> (m6) BA BPA (p6) BG (p6)	1	+0.008	+0.012	-0.002	1.20(1.50)-2.50	2, 3	1.0-5.0	0.1	0.5	0
		2	+0.002	+0.006	-0.008	2.50-4.00	2-6	1.0-10.0	0.5	1	1.2
		3	+0.012	+0.020	-0.004	3.50-6.00	3-6	1.0-10.0	1	2	1.5
		4	+0.004	+0.012	-0.004	4.50-7.00	4-8	1.0-10.0	1	3	1.8
		5	+0.004	+0.012	-0.012	5.50-8.00	5-10	1.0-10.0	1	3	2.2
		6	+0.004	+0.012	-0.012	6.50-10.00	6-12	1.0-12.0	1	3	3
	<Diamond> (m6) BD BPD (p6) DG (p6)	8	+0.015	+0.024	-0.005	9.00-13.00	8-16	1.0-15.0	1.5	1	3.5
		10	+0.006	+0.015	-0.014	11.00-15.00	10-20	3.0-20.0	2	4	4
		12	+0.018	+0.029	-0.006	13.00-16.00	12-24	3.0-20.0	2	4	5
		13	+0.018	+0.029	-0.006	14.00-18.00	13-26	5.0-20.0	2	4	5.5
		16	+0.007	+0.018	-0.017	17.00-25.00	16-32	5.0-20.0	3	5	7
		20	+0.021	+0.035	-0.007	22.00-30.00	20-40	5.0-20.0	3	5	9

⚠ P dimension in () is applicable to Diamond Shape.

Ordering Example

Part Number: JP BB 6 - 10

JP BD 8 - 11.98

FP BA 10 - P12.02 - L10 - B3.2

FP BD 12 - P13.97 - L12 - B5

■ P Selectable

D	Unit Price Round Shape						Unit Price Diamond Shape					
	①SKS3 Hardened JPBB JPBPB	②Hard SKS3 GJPBB GJPBPB	③SKS3 BJPBB BJPBPB	④SUS304 SJPBB SJPBPB	⑤Hard SUS304 HJPBB HJPBPB	⑥SUS440C CJPBB CJPBPB	①SKS3 Hardened JPDB JPDDB	②Hard SKS3 GJPDB GJPDPB	③SKS3 BJPDB BJPDPB	④SUS304 SJPDB SJPDPB	⑤Hard SUS304 HJPDB HJPDPB	⑥SUS440C CJPDB CJPDPB
1												
2												
3												
4												
5												
6												
8												
10												
12												
13												
16												
20												

■ P Configurable

D	Unit Price Round Shape						Unit Price Diamond Shape					
	①SKS3 Hardened JPBA JPBPA	②Hard SKS3 GJPBA GJPBPA	③SKS3 BJPBA BJPBPA	④SUS304 SJPBA SJPBPA	⑤Hard SUS304 HJPBA HJPBPA	⑥SUS440C CJPBA CJPBPA	①SKS3 Hardened JPBD JPBPD	②Hard SKS3 GJPBD GJPBPD	③SKS3 BJPBD BJPBPD	④SUS304 SJPBD SJPBPD	⑤Hard SUS304 HJPBD HJPBPD	⑥SUS440C CJPBD CJPBPD
1												
2												
3												
4												
5												
6												
8												
10												
12												
13												
16												
20												

■ P, L, B Configurable

D	Unit Price Round Shape						Unit Price Diamond Shape					
	①SKS3 Hardened FPBA FPBPA	②Hard SKS3 GFPBA GFPBPA	③SKS3 BFPBA BFPBPA	④SUS304 SFPBA SFPBPA	⑤Hard SUS304 HFPBA HFPBPA	⑥SUS440C CFPBA CFPBPA	①SKS3 Hardened FPBD FPBPD	②Hard SKS3 GFPBD GFPBPD	③SKS3 BFPBD BFPBPD	④SUS304 SFPBD SFPBPD	⑤Hard SUS304 HFPBD HFPBPD	⑥SUS440C CFPBD CFPBPD
1												
2												
3												
4												
5												
6												
8												
10												
12												
13												
16												
20												

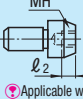
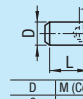
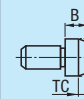
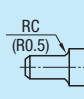
Alterations

Part Number: P - L - B - (MH, NTK, TC, RC)

FPBPA10 - P11.01 - L12 - B6.4 - TC6

⚠ Alterations are not available for P Selectable Type.

EX Example

Alterations	Tapping	Removal Tap	Length of Tapered Point	Sphere Tip																																																							
Code	MH	NTK	TC	RC																																																							
Spec.	<p>Adds a tapped hole.</p> <p>Ordering Code: MH</p>  <p>⚠ Applicable when D≥6</p> <p>⚠ B≥2+4</p> <p>⚠ Combination with NTK is not available.</p> <table border="1"> <tr><th>D</th><th>M (Coarse)</th><th>l2</th></tr> <tr><td>6</td><td>M3</td><td>4</td></tr> <tr><td>8-13</td><td>M4</td><td>6</td></tr> <tr><td>16, 20</td><td>M6</td><td>9</td></tr> </table>	D	M (Coarse)	l2	6	M3	4	8-13	M4	6	16, 20	M6	9	<p>Removes a removal tap hole.</p> <p>Ordering Code: NTK</p>  <p>⚠ Applicable only when D≥6</p> <p>⚠ Combination with MH, TC is not available.</p> <p>⚠ Effective tap length of D depends on B dimension specifiable range.</p> <p>⚠ When L+B-m=Mx3, the tapped holes go through.</p> <p>⚠ When L+B-m=Mx5, the pilot holes for tapping may go through.</p> <table border="1"> <tr><th>D</th><th>M (Coarse)</th><th>B</th></tr> <tr><td>6</td><td>3</td><td>1.0-4.5</td></tr> <tr><td>8</td><td>4</td><td>1.0-5.9</td></tr> <tr><td>10, 12</td><td>5</td><td>3.0-8.6</td></tr> <tr><td>13-20</td><td>8</td><td>5.0-15.2</td></tr> </table>	D	M (Coarse)	B	6	3	1.0-4.5	8	4	1.0-5.9	10, 12	5	3.0-8.6	13-20	8	5.0-15.2	<p>Changes the m dimension.</p> <p>Ordering Code: TC8 (1mm increment)</p>  <p>⚠ B+m>TC+2 (Straight Section min. 2mm)</p> <p>⚠ Applicable when P≥2.00.</p> <p>⚠ P/2-TC x tan15° (=0.27) > 0.5 (Tip 0.1min.)</p> <p>⚠ B dimension changes when TC is specified. (Changed B dimension = B+m-TC)</p> <p>⚠ Combination with NTK is not available.</p> <table border="1"> <tr><th>D</th><th>TC</th><th>D</th><th>TC</th></tr> <tr><td>1</td><td>1-2</td><td>8</td><td>5-16</td></tr> <tr><td>2</td><td>2-5</td><td>10</td><td>5-22</td></tr> <tr><td>3</td><td>3-9</td><td>12</td><td>5-22</td></tr> <tr><td>4</td><td>4-11</td><td>13</td><td>5-22</td></tr> <tr><td>5</td><td>4-11</td><td>16</td><td>6-23</td></tr> <tr><td>6</td><td>4-13</td><td>20</td><td>6-23</td></tr> </table>	D	TC	D	TC	1	1-2	8	5-16	2	2-5	10	5-22	3	3-9	12	5-22	4	4-11	13	5-22	5	4-11	16	6-23	6	4-13	20	6-23	<p>Changes the relief to R0.5.</p> <p>Ordering Code: RC</p>  <p>⚠ Applicable when P-D≥2</p>
D	M (Coarse)	l2																																																									
6	M3	4																																																									
8-13	M4	6																																																									
16, 20	M6	9																																																									
D	M (Coarse)	B																																																									
6	3	1.0-4.5																																																									
8	4	1.0-5.9																																																									
10, 12	5	3.0-8.6																																																									
13-20	8	5.0-15.2																																																									
D	TC	D	TC																																																								
1	1-2	8	5-16																																																								
2	2-5	10	5-22																																																								
3	3-9	12	5-22																																																								
4	4-11	13	5-22																																																								
5	4-11	16	6-23																																																								
6	4-13	20	6-23																																																								

The combination of Round and Diamond Shapes enables to locate accurately in A direction, and to absorb hole pitch errors of the mating hole in B direction.

