

# Locating Pins Straight Round Type

- Female Type -

CAD Data Folder Name: 21\_Locating\_Pins

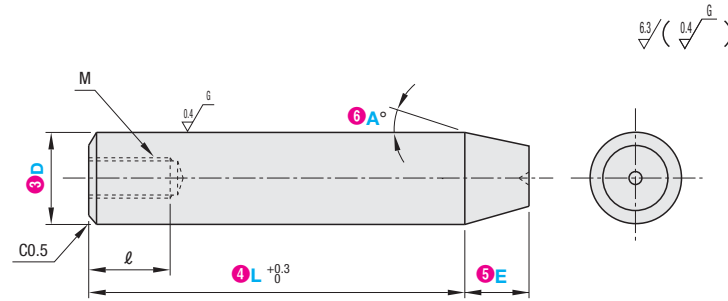
Features: Configured to mount with a screw from the bottom of the Straight Taper Type. Improved maintainability compared to press-fit type.

When ordering, select Part Number and Values from Selection Steps 1~6.

Ordering Example: Part Number (1)Type · (2)D Tolerance · (3)D - (4)L - (5)E - (6)A  
**LPSSTAG8 - L29.3 - E8.3 - A15**



Type	Material	Surface Treatment	Hardness
LPSTTA	SKS3 Equivalent	-	Treated Hardness: 60 ~ 63HRC
GLPSTTA	SKS3 Equivalent	Hard Chrome Plating Plating Thickness: 3µm or More	Treated Hardness: 60 ~ 63HRC Plating Hardness: 750HV ~
CLPSTTA	SUS440C Equivalent	-	Treated Hardness: 50 ~ 55HRC
SLPSTTA	SUS304 Equivalent	-	-



### D Dim. Tolerance Selectable

D	D dim. Tolerance			
	M	P	G	H
6	+0.012 +0.004	+0.020 +0.012	-0.004 -0.012	0 -0.012
8, 10	+0.015 +0.006	+0.024 +0.015	-0.005 -0.014	0 -0.015

D dim.8, M5 size may break if tightened with torque over 4.6N·M.

Type	D Tolerance	D	L	E	A	M	ℓ
LPSTTA	M P G H	6	10.0~30.0	0.5~10.0	15 30 45 60	M3	5
GLPSTTA		8	15.0~40.0			M5	8
CLPSTTA		10		M5		8	

Days to Ship: **3** Days\*

\* for orders placed by THA: 12:30, SGP&MYS: 13:30 P.75

Color: **GLPSTTA**

Part Number: **5** Days

Order Quantity	Standard Service Regular Quantity	Non-Standard Service Large Quantity
Quantity	1~100	101~
Days to ship	Standard	To be quoted

Alterations	Insertion Guide	Air Vent	Unilateral Tolerance Change
Spec.	For detail of machining and Ordering Code, refer to the WEB Catalog.		

# Locating Pins Air Vent



CAD Data Folder Name: 21\_Locating\_Pins

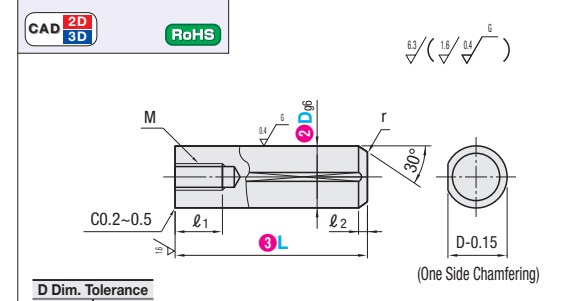
Features: Tapered straight type, easy pin insertion with air vent grooves. Short delivery time and low cost are achieved by narrowed down dimension range.

When ordering, select Part Number and Values from Selection Steps 1~3.

Ordering Example: Part Number (1)Type · (2)D - (3)L  
**LPT6 - 20**



Type	Material	Hardness
LPT	SUJ2 Equivalent	Treated Hardness: 45 ~ 50HRC
CLPT	SUS440C Equivalent	Treated Hardness: 50 ~ 55HRC
SLPT	SUS304 Equivalent	-



D Dim. Tolerance	D Dimension	g6
5	-0.004	
6	-0.012	
8	-0.005	
10	-0.014	
12	-0.006	
	-0.017	

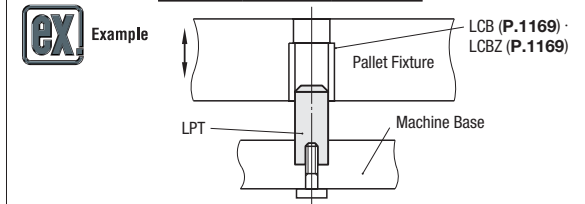
Part Number Type	D	L	M (Coarse)	ℓ1	ℓ2	r
LPT	5	10 12 15 20 25 30	M3	6	1	1
CLPT	6	15 20 25 30	M4	8	1	1
SLPT	8	12 15 20 25 30	M5	8	1.5	1.5
	10	20 25 30	M6	10	1.5	1.5
	12	20 25 30	M6	10	2	2

Days to Ship: **3** Days  
 LPT5-15 · 20 · 25 / LPT6-15 · 20 · 25 · 30 / LPT8-15 · 20 · 25 · 30 / LPT10-20 · 25 · 30 / LPT12-25 · 30 / SLPT5-12 · 15 / SLPT6-20 / SLPT10-30

Stock  
 Stock lineup may vary by country.  
 Same day shipping available upon request. Order by THA: 16:00, SGP: 12:00, MYS: 15:00 P.75

Others: **3** Days

Order Quantity	Standard Service Regular Quantity	Non-Standard Service Large Quantity
Quantity	1~100	101~
Days to ship	Standard	To be quoted

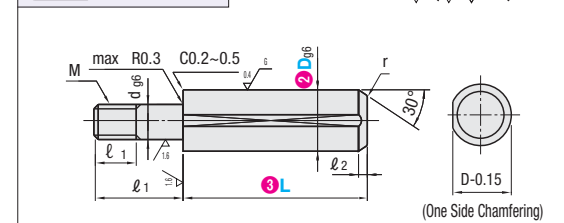


When ordering, select Part Number and Values from Selection Steps 1~3.

Ordering Example: Part Number (1)Type · (2)D - (3)L  
**LPN6 - 15**



Type	Material	Hardness
LPN	SUJ2 Equivalent	Treated Hardness: 45 ~ 50HRC
CLPN	SUS440C Equivalent	Treated Hardness: 50 ~ 55HRC
SLPN	SUS304 Equivalent	-



D · d Tolerance	D · d	g6
3	-0.002	
4	-0.004	
5	-0.004	
6	-0.012	

Part Number Type	D	L	M (Coarse)	dg6	L1	ℓ1	ℓ2	r
LPN	5	15 20 25 30	M3	3	12	7	1	1
CLPN	6		M4	4	15	10	1	1
SLPN	8		M5	5	15	10	1.5	1.5
	10		M6	6	20	15	1.5	1.5
	12		M6	6	20	15	2	2

Days to Ship: **3** Days  
 Stock  
 Stock lineup may vary by country.  
 Same day shipping available upon request. Order by THA: 16:00, SGP: 12:00, MYS: 15:00 P.75

Order Quantity	Standard Service Regular Quantity	Non-Standard Service Large Quantity
Quantity	1~100	101~
Days to ship	Standard	To be quoted

