

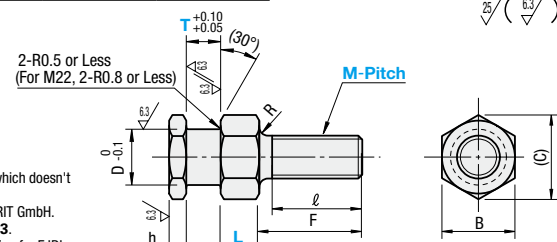
Floating Joints - Quick Connection Type

Threaded Type / Sheet Metal Holder Set

Surface treatment of SUS304 has changed from Tuffride® to Nitriding treatment. Better corrosion resistance and hardness, less particle generation on the surface than the conventional products.

Threaded Type RoHS10

Type		Material	Surface Treatment	Hardness
L Fixed	L Configurable			
FJD	FJDL	S45C Equivalent	Tuffride®	500HV~
FJDSW	-	SUS304	Nitriding Treatment	1000HV~



- Tuffride® may cause uneven color, which doesn't affect mechanical function.
- Tuffride® is a trademark of DURFERRIT GmbH.
- For details of "Tuffride®", see P.1793.
- No Tuffride® Treatment on F Dimension for FJDL.

Part Number		T										L		h	D	F	ℓ	B	(C)	R
Type	M-Pitch	3	4	5	6	8	9	10	12	15	20	L Fixed	L Configurable (1mm Increment)							
L Fixed FJD FJDSW	3-0.5	3	4									4	3~15							
	4-0.7	3	4	5	6	8						5	3~20							
	5-0.8	3	4	5	6	8	9	10				6	3~25							
	6-1.0	4	5	6	8							8	4~30							
L Configurable FJDL	8-1.25		5	6	8				12			8	4~40							
	10-1.5		6	8	9	10	12					9	4~50							
	16-2.0								12	20		12	8~80							
	20-2.5								15	20		15	10~100							
	22-2.5								12	15	20	17	10~100							
												6	27							

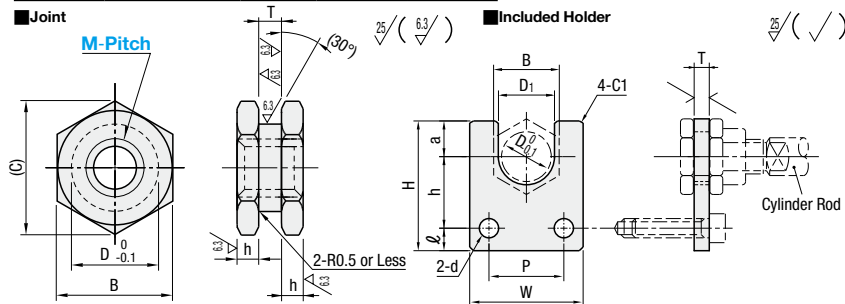
Holders: Applicable to Products with yellow highlight with in Price List only. For details, see P.1430

Ordering Example

Part Number	-	T	-	L
FJD5-0.8	-	5	-	
FJDL10-1.5	-	8	-	20

Sheet Metal Holder Set RoHS10

Type		Material		Surface Treatment	Hardness
Floating Joints	Holder	S45C Equivalent	SPOC Equivalent		
FJSC	-	S45C Equivalent	SPOC Equivalent	Tuffride®	500HV~



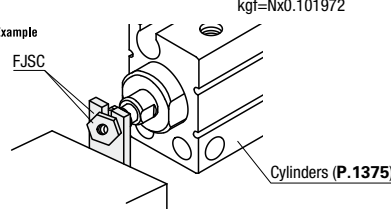
- Tuffride® may cause uneven color, which doesn't affect mechanical function.
- Tuffride® is a trademark of DURFERRIT GmbH.
- For details of "Tuffride®", see P.1793.

Part Number		Included Holder										Maximum Applied Tensile / Compression Force (N)							
Type	M-Pitch	T	Tolerance	h	D	B	(C)	T	Tolerance	B	D ₁		W	H	a	h	ℓ	P	d
FJSC	3-0.5	2.3	+0.3	2	6	8	9.2	2.3	±0.19	8	6.5	16	25	5	14	6	8	4.5	19
	4-0.7		+0.25		7	10	11.5			10	8	19	26	6	14	6	10		54
	5-0.8		+0.35		8	12	13.9			12	9	22	33	7	18	8	12		123
	6-1.0		+0.3		10	14	16.2			14	11	25	34	8					123

kgf=Nx0.101972

Ordering Example

Part Number	-	T
FJSC4-0.7	-	8

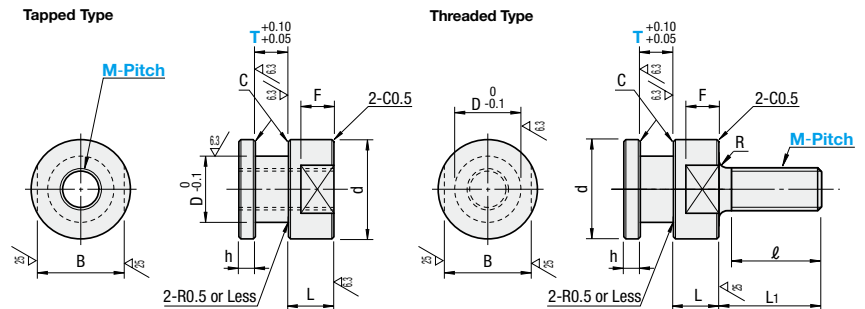


Floating Joints Quick Connection Type

Circular Tapped Type / Circular Threaded Type

RoHS10

Type		Material	Surface Treatment	Hardness
Tapped	Threaded			
FJCL	FJCLM	S45C Equivalent	Tuffride®	500HV~



- Tuffride® may cause uneven color, which doesn't affect mechanical function.
- Tuffride® is a trademark of DURFERRIT GmbH.
- For details of Tuffride®, see P.1793.

Circular Tapped Type

Part Number		T										Applicable Holder											
Type	M-Pitch	3	4	5	6	8	9	10	12	15	20	h	L	D	d	B	F	C	T Dimensions for FJCL*	HLRA HLRB HLRC HLRE			
FJCL	3-0.5			4	5							3	5	6	10	8	3	0.2	4	6			
	4-0.7	3	4	5																7 ^(*)			
	5-0.8	4	5	6																8			
	6-1.0	4	6	8																10			
	8-1.25		8	9	10															13			
	10-1.25		8																	8	0.5	12	16
	10-1.5		8	9	10																		18
	12-1.25		8		12																		21
	14-1.5																			4	12	15	25
	18-1.5																						15

(*1) When M-Pitch is 4-0.7 and selecting T=4, applicable holders are HLRA, HLRB, HLRC.

For holder dimension details see P.1437-P.1439

Circular Threaded Type

Part Number		T										Applicable Holder														
Type	M-Pitch	3	4	5	6	8	9	10	12	15	20	h	D	d	L	F	L ₁	ℓ	B	R	C	T Dimensions for FJCLM*	HLRB			
FJCLM	4-0.7	3	4									3	4	14	6	4	11	9	10	1.5	0.2	4	4			
	5-0.8	4	5	6																			6			
	6-1.0	4	6																				7			
	8-1.25		6	8																			6	10		
	10-1.5		8																						8	13
	16-2.0		12																							
	20-2.5																						4	15	25	

For holder dimension details see P.1437-P.1439

Ordering Example

Part Number	-	T
FJCL6-1.0	-	8



Example

The combination shown below is available on the website.

For details of selections see P.81

*Enter a number in the search box on e-Catalog. The search result will be shown in "Modular Assembler" area on the right-hand side of the screen.

e-Catalog Search Number

#MA8 Search

