

Floating Joints - Quick Connection Type

Cylinder Connector and Holder Set

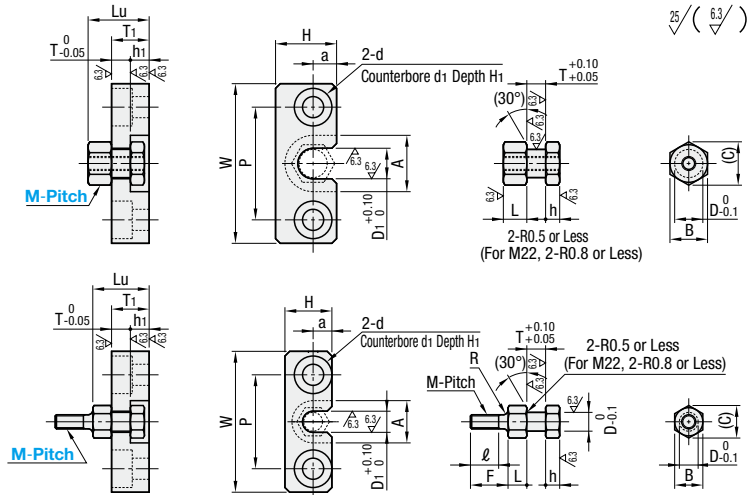
Feature: A set of Connector (FJR / FJD) and Holder (HLRA) for Floating Joints Quick Connection Type is available for easy selection.

RoHS10

| Type | | Holder Shape | Material | Surface Treatment | Hardness |
|--------|----------|-------------------|-----------------|-------------------|----------|
| Tapped | Threaded | | | | |
| FJRHA | FJDHA | Side Mount (HLRA) | S45C Equivalent | Tuffride® | 500HV~ |

FJRHA

FJDHA



- Tuffride® may cause uneven color, which doesn't affect mechanical function.
- Tuffride® is a trademark of DURFERRIT GmbH.
- For details of "Tuffride®", see P.1793.

Tapped Type

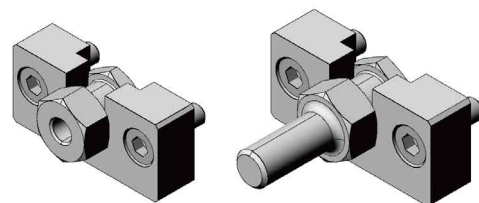
| Part Number | Cylinder Connector | | | | | | | Holder | | | | | | | | | | | |
|-------------|--------------------|---------|----|----|----|------|------|--------|----|----|----|----|----|----|----|------|------|-----|----|
| | Type | M-Pitch | T | D | L | h | B | C | D1 | A | T1 | h1 | W | H | a | P | d | d1 | H1 |
| FJRHA | 3-0.5 | 4 | 6 | 5 | 3 | 8 | 9.2 | 6.5 | 12 | 8 | 4 | 34 | 13 | 5 | 24 | 4.5 | 8.0 | 4.4 | 13 |
| | 4-0.7 | 4 | 7 | 6 | 3 | 10 | 11.5 | 8 | 14 | 8 | 4 | 36 | 15 | 6 | 26 | 4.5 | 8.0 | 4.4 | 14 |
| | 5-0.8 | 6 | 8 | 7 | 3 | 12 | 13.9 | 9 | 17 | 10 | 4 | 42 | 18 | 7 | 30 | 5.5 | 9.5 | 5.4 | 17 |
| | 6-1.0 | 6 | 10 | 8 | 4 | 14 | 16.2 | 11 | 19 | 11 | 5 | 44 | 20 | 8 | 32 | 5.5 | 9.5 | 5.4 | 19 |
| | 8-1.25 | 8 | 13 | 9 | 4 | 17 | 19.6 | 14 | 23 | 13 | 5 | 52 | 24 | 10 | 38 | 6.6 | 11.0 | 6.5 | 22 |
| | 10-1.25 | 8 | 16 | 11 | 4 | 21 | 24.2 | 18 | 28 | 13 | 5 | 56 | 30 | 12 | 42 | 6.6 | 11.0 | 6.5 | 24 |
| | 14-1.5 | 12 | 21 | 13 | 4 | 26 | 30.0 | 23 | 34 | 17 | 5 | 70 | 36 | 15 | 52 | 9 | 14.0 | 8.6 | 30 |
| 18-1.5 | 15 | 25 | 15 | 5 | 30 | 34.6 | 27 | 38 | 21 | 6 | 84 | 43 | 19 | 62 | 11 | 17.0 | 10.5 | 36 | |

Threaded Type

| Part Number | Cylinder Connector | | | | | | | Holder | | | | | | | | | | | | | | |
|-------------|--------------------|---------|----|---|----|----|----|--------|------|-----|-----|----|----|----|----|----|----|-----|------|-----|-----|----|
| | Type | M-Pitch | T | D | L | h | F | ℓ | B | C | R | D1 | A | T1 | h1 | W | H | a | P | d | d1 | H1 |
| FJDHA | 3-0.5 | 4 | 4 | 4 | 3 | 8 | 6 | 6 | 6.9 | 1.0 | 4.5 | 9 | 8 | 4 | 30 | 10 | 4 | 20 | 4.5 | 8.0 | 4.4 | 12 |
| | 4-0.7 | 4 | 4 | 5 | 3 | 11 | 9 | 6 | 6.9 | 1.0 | 4.5 | 9 | 8 | 4 | 30 | 10 | 4 | 20 | 4.5 | 8.0 | 4.4 | 13 |
| | 5-0.8 | 4 | 6 | 5 | 3 | 13 | 11 | 8 | 9.2 | 1.0 | 6.5 | 12 | 8 | 4 | 34 | 13 | 5 | 24 | 4.5 | 8.0 | 4.4 | 13 |
| | 6-1.0 | 4 | 7 | 6 | 3 | 19 | 17 | 10 | 11.5 | 1.5 | 8 | 14 | 8 | 4 | 36 | 15 | 6 | 26 | 4.5 | 8.0 | 4.4 | 14 |
| | 8-1.25 | 6 | 10 | 8 | 4 | 20 | 18 | 14 | 16.2 | 1.5 | 11 | 19 | 11 | 5 | 44 | 20 | 8 | 32 | 5.5 | 9.5 | 5.4 | 19 |
| 10-1.5 | 8 | 13 | 9 | 4 | 24 | 21 | 17 | 19.6 | 2.0 | 14 | 23 | 13 | 5 | 52 | 24 | 10 | 38 | 6.6 | 11.0 | 6.5 | 22 | |

Ordering Example
Part Number
 FJRHA5-0.8
 FJDHA10-1.5

EX Example
 The combination shown below is available on the website. For details of selections, see P.81
 * Enter a number in the search box on e-Catalog. The search result will be shown in "Modular Assembler" area on the right-hand side of the screen.
 e-Catalog Search Number

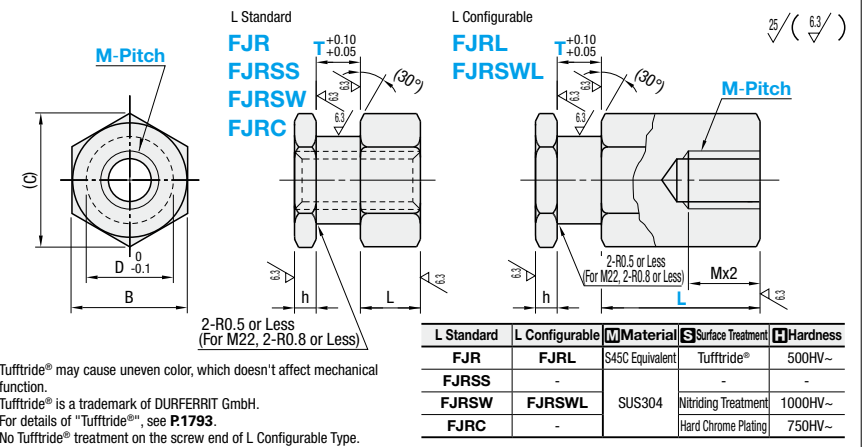


Floating Joints - Quick Connection Type

Tapped Type

Surface treatment of SUS304 has changed from Tuffride® to Nitriding treatment. Better corrosion resistance and hardness, less particle generation on the surface than the conventional products.

RoHS10



- Tuffride® may cause uneven color, which doesn't affect mechanical function.
- Tuffride® is a trademark of DURFERRIT GmbH.
- For details of "Tuffride®", see P.1793.
- No Tuffride® treatment on the screw end of L Configurable Type.

| L Standard | L Configurable | Material | Surface Treatment | Hardness |
|------------|----------------|-----------------|---------------------|----------|
| FJR | FJRL | S45C Equivalent | Tuffride® | 500HV~ |
| FJRSS | - | - | - | - |
| FJRSW | FJRSL | SUS304 | Nitriding Treatment | 1000HV~ |
| FJRC | - | - | Hard Chrome Plating | 750HV~ |

| Part Number | Type | M-Pitch | T | | | | | | | | | | | | L | | h | D | B (C) | | | | | | | |
|----------------|-------|---------|--------------------------------|---|---|---|---|---|----|----|----|----|----|----|----|--------|------------|---|-------|-------|--------------------------------|------|------|------|-----|------|
| | | | 2 | 3 | 4 | 5 | 6 | 8 | 9 | 10 | 12 | 13 | 15 | 16 | 19 | 20 | | | | Fixed | L Configurable (1mm Increment) | | | | | |
| L Fixed | FJR | 3-0.5 | 2 | 3 | 4 | 5 | 6 | | | | | | | | | | | | | 5 | 3~50 | 3 | 6 | 8 | 9.2 | |
| | FJRSS | 4-0.7 | 2 | 3 | 4 | 5 | 6 | 8 | | | | | | | | | | | | | 6 | 3~60 | 7 | 7 | 10 | 11.5 |
| | FJRSW | 5-0.8 | 3 | 4 | 5 | 6 | 8 | 9 | 10 | | | | | | | | | | | | | 7 | 3~60 | 8 | 12 | 13.9 |
| | FJRC | 6-1.0 | 3 | 4 | 5 | 6 | 8 | 9 | 10 | 12 | | | | | | | | | | | | | 8 | 4~80 | 10 | 14 |
| L Configurable | FJR | 8-1.0 | 4 5 6 8 9 10 12 13 15 16 | | | | | | | | | | | | 9 | 4~100 | 13 17 19.6 | | | | | | | | | |
| | FJRSS | 8-1.25 | 4 5 6 8 9 10 12 13 15 16 19 20 | | | | | | | | | | | | 11 | 4~100 | 16 21 24.2 | | | | | | | | | |
| | FJRSW | 10-1.25 | 5 6 8 9 10 12 13 15 16 19 20 | | | | | | | | | | | | 12 | 5~100 | 18 23 26.6 | | | | | | | | | |
| | FJRC | 12-1.25 | 5 6 8 9 10 12 13 15 16 19 20 | | | | | | | | | | | | 13 | 5~100 | 21 26 30 | | | | | | | | | |
| | FJR | 14-1.5 | 8 9 10 12 13 15 16 19 20 | | | | | | | | | | | | 15 | 8~100 | 25 30 34.6 | | | | | | | | | |
| | FJRSS | 16-1.5 | 8 9 10 12 13 15 16 19 20 | | | | | | | | | | | | 15 | 8~100 | | | | | | | | | | |
| | FJRSW | 18-1.5 | 12 15 20 | | | | | | | | | | | | 17 | 10~100 | 27 32 36.9 | | | | | | | | | |
| | FJRC | 22-1.5 | | | | | | | | | | | | | 17 | 10~100 | | | | | | | | | | |

- For L Configurable Type, tapped holes go through when h+T+L<3M.
- T=2 is only available for FJR.

Floating Joint and Holder Application Table (FJR, FJR_, FJR_, FJR_)

| M-Pitch | T | HLRA P.1437 | HLRB P.1437 | HLRC P.1438 | HLRE P.1439 | HLRF P.1439 | HLRG P.1439 | HLRH P.1439 | HLRI P.1439 | HLRJ P.1439 | HLRK P.1439 | HLRL P.1439 | HLRM P.1439 | HLRN P.1439 | HLRO P.1439 | HLRP P.1439 |
|---------|----|-------------|-------------|-------------|-------------|-------------|-------------|-------------|-------------|-------------|-------------|-------------|-------------|-------------|-------------|-------------|
| 3-0.5 | 4 | 6 | - | - | - | - | - | 3-6 | 6-3-6 | | | | | | | |
| 4-0.7 | 4 | 7 | 4 | 7 | 8 | 7 | 7 | 3-8 | 7-3-8 | | | | | | | |
| 5-0.8 | 6 | 8 | 6 | 8 | 10 | 8 | 8 | 3-10 | 8-3-10 | | | | | | | |
| 6-1.0 | 6 | 10 | 6 | 10 | 12 | 10 | 10 | 3-12 | 10-3-12 | | | | | | | |
| 8-1.0 | 8 | 13 | 8 | 13 | 13 | 13 | 13 | 4-12 | 13-4-12 | | | | | | | |
| 8-1.25 | 8 | 16 | 8 | 16 | 15 | 16 | 16 | 5-15 | 16-5-15 | | | | | | | |
| 10-1.25 | 12 | 18 | 12 | 18 | 16 | 18 | 18 | - | - | | | | | | | |
| 12-1.5 | 12 | 21 | 12 | 21 | 19 | 21 | 21 | 6-15 | 21-6-15 | | | | | | | |
| 14-1.5 | 15 | 25 | 15 | 25 | 20 | 25 | 25 | 8-20 | 25-8-20 | | | | | | | |
| 18-1.5 | 20 | 27 | 20 | 27 | - | - | - | 12-20 | 27-12-20 | | | | | | | |

- Holder size 27 is only applicable to HLRA and HLRC.
- For holder dimension details see P.1437-1439

Ordering Example
Part Number - T - L
 FJR5-0.8 - 6 - 20
 FJRL14-1.5 - 12 - 20
 FJRC10-1.25 - 8 - 20

Floating Joint and Holder Application Table (FJD, FJD, FJD, FJD)

| M-Pitch | T | HLRA P.1437 | HLRB P.1437 | HLRC P.1438 | HLRE P.1439 | HLRF P.1439 | HLRG P.1439 | HLRH P.1439 | HLRI P.1439 | HLRJ P.1439 | HLRK P.1439 | HLRL P.1439 | HLRM P.1439 | HLRN P.1439 | HLRO P.1439 | HLRP P.1439 |
|---------|----|-------------|-------------|-------------|-------------|-------------|-------------|-------------|-------------|-------------|-------------|-------------|-------------|-------------|-------------|-------------|
| 3-0.5 | 4 | 4 | - | - | - | - | - | 3-6 | 6-3-6 | | | | | | | |
| 4-0.7 | 4 | 4 | 4 | 7 | 8 | 7 | 7 | 3-8 | 7-3-8 | | | | | | | |
| 5-0.8 | 6 | 6 | 6 | 8 | 10 | 8 | 8 | 3-10 | 8-3-10 | | | | | | | |
| 6-1.0 | 6 | 7 | 6 | 10 | 12 | 10 | 10 | 3-12 | 10-3-12 | | | | | | | |
| 8-1.25 | 6 | 10 | 6 | 10 | 12 | 10 | 10 | 4-12 | 12-4-12 | | | | | | | |
| 10-1.5 | 8 | 13 | 8 | 13 | 13 | 13 | 13 | 5-15 | 15-5-15 | | | | | | | |
| 12-1.5 | 12 | 18 | 12 | 18 | 16 | 18 | 18 | - | - | | | | | | | |
| 14-1.5 | 15 | 25 | 15 | 25 | 20 | 25 | 25 | 8-20 | 25-8-20 | | | | | | | |
| 18-1.5 | 20 | 27 | 20 | 27 | - | - | - | 12-20 | 27-12-20 | | | | | | | |

- Holder size 27 is only applicable to HLRA and HLRC.
- For holder dimension details see P.1437-1439

About Nitriding Treatment
 Pretreatment of SUS facilitates formation of nitride layer.